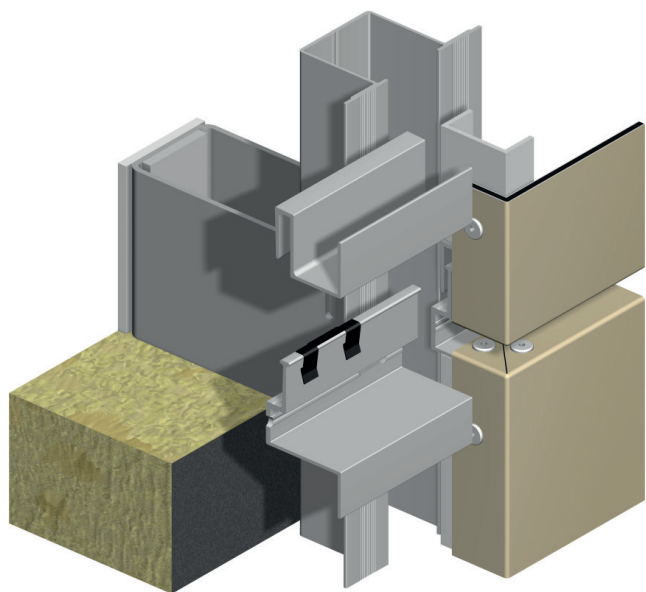


# ALLFACE SYSTEM SZ20

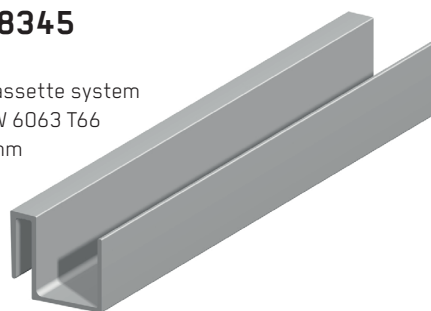
Cassette panels based on the SZ-principle facilitate the manufacture and delivery of high-end architectural façades. Based on the construction principle of interlocking S- and Z-profiles the SZ20 cassette system allows rapid trouble free installation. The maximum width of the horizontal and vertical joints is 20 mm. The minimum width of the horizontal and vertical joints is dependent on the size of panels and construction conditions. The maximum panel size depends on material width, processing machinery and wind loading. The design guidelines and application instructions from Alucobond are observed. Subject to technical changes.



## A-ACS398345

(44024)

S-profile for cassette system  
material EN AW 6063 T66  
length 6.000 mm



## A-ACH960500

(35953)

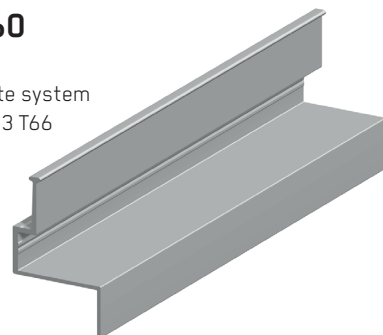
hat profile for cassette system  
material EN AW 6063 T66  
length 6.000 mm



## A-ACZ485460

(44025)

Z-profile for cassette system  
material EN AW 6063 T66  
length 6.000 mm



## A-ACB400500

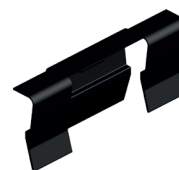
(44026)

starter profile for cassette system  
material EN AW 6063 T66  
length 6.000 mm



## Z-M02061

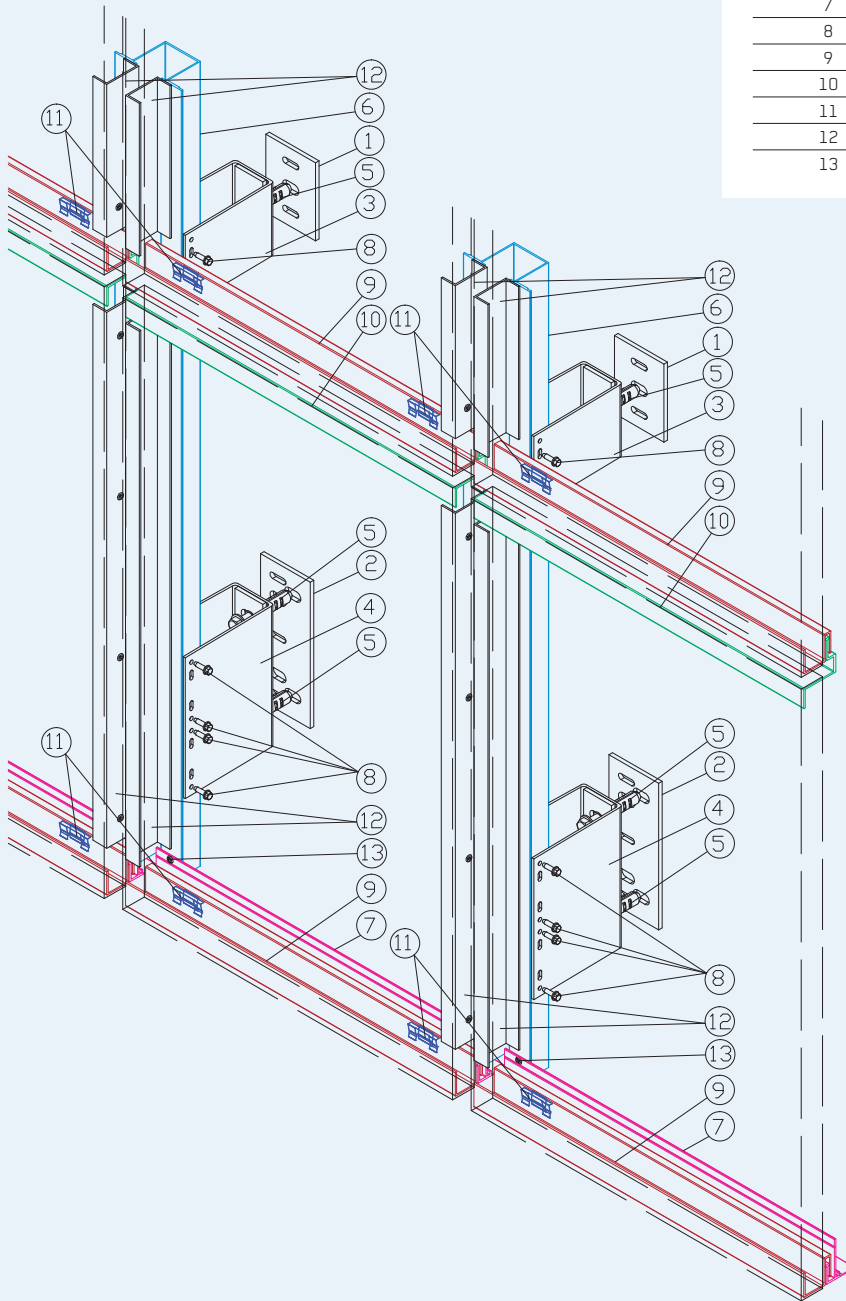
plastic clip SZ20  
length 40mm  
packing unit 100 pcs per box



## SYSTEM SZ20

The design guidelines and application instructions from Alucobond are observed Object to technical changes.

Nr.	Description
1	Insulator I4
2	Insulator I4+
3	bracket F4
4	bracket F4+
5	wall anchor
6	hat-profile
7	starter-profile
8	self drilling screw
9	S-profile
10	Z-profile
11	clip
12	U-profile
13	rivet



 **ALLFACE**  
Smart Fixing Systems

ALLFACE Befestigungstechnologie GmbH  
A-2544 Leobersdorf, Ared Straße 29, Büro 222

T +43 (0)2256 62518

F +43 (0)2256 62518 18

E office@allface.com

www.allface.com