

**DIM Design & Installation Manual**  
Swisspearl Largo and Linearis



<b>General information, Program</b>		Remarks, system, validity, ordering material, rain screen cladding	3	
	Panel sizes	Overview panel sizes	4	
		Application cutting	5	
	Reflex, Vintago, Vintago - Reflex	Appearance Reflex, Vintago and Vintago - Reflex, arrows to rear face	6	
		Ordering material, Software support, Positioning, Cutting from CAD	6-7	
	Adhesive	Adhesive application	7	
	Bending radius	Portrait / Landscape	8	
	Accessories	Fasteners	9	
	<b>Design</b>	General remarks	Joint material	10
			Terminology	11
Corner zone, Application, Windload			12	
Insulation, Rear ventilation, Open joints			12	
Ventilation openings, building dilatation			12	
Metal panel support		Panel support, Compatibility, Sub-frame	13-14	
		Distances to panel edge, joints, fixed and sliding points	15	
		Aluminum, steel sub-frame	16-17	
		Drilling and riveting, fixed point, sliding point, fastener distances	18	
		Windload guidelines	19-22	
		Single span panel	23	
		Swisspearl Largo portrait/landscape	24-26	
		Fastening layout stripes	27-29	
		Details	Outer corner, Inner corner, Window jamb, window sill	30-32
			Window head, bottom detail, coping detail	33-35
Swisspearl Linearis	Distances to panel edge, panel joints	36		
	Timber panel supports	37		
<b>Installation</b>	Swisspearl Linearis	Timber quality, screws, ventilation cavity	38-39	
		Horizontal section, vertical joints at windows, fastener distances	40-43	
	Details	Windload guidelines	44	
		Single span panels, Installation	45	
		Swisspearl Largo portrait/landscape	46-49	
		Fastening layout stripes	50-52	
		Outer corner, Inner corner, Window jamb, window sill	53-56	
		Window head, bottom detail, coping detail	56	
		Storage on site	57	
		Cutting, Tools	58	
Cleaning	Fabrication, Cut outs, Sealer, tools	57		
	Cleaning procedures, Masking tape	58		

**Remarks**

This DIM (Design + Installation Manual) provides technical information regarding design and installation. Refer to area manager and local distributor for further information such as:

- Terms of delivery
- Pricing
- Products and colors
- Lead time, etc.

More general information available on [www.swisspearl.com](http://www.swisspearl.com)

CH- 8867 Niederurnen  
Tel. +41 55 617 11 60  
Email: [info@swisspearl.com](mailto:info@swisspearl.com)

**Validity of DIM**

Please consult your local distributor and or the Technical Advisor prior to the commencement of shop drawings or installation for the most current DIM guide. The current DIM can always be found at [www.swisspearl.com](http://www.swisspearl.com). All previous DIM guides should be disregarded and are no longer valid

**Product warranty**

20 year warranty for the functional quality of panels and accessories, provided that the installation is in full compliance with this DIM. (Zenor panels will only be covered under a 10 year warranty.)

**Maritime conditions**

Maritime conditions call the use for stainless steel rivets. Those may be used on steel or anodized aluminum sub frame. Maritime conditions are considered 50m to 1km (0.03 to 0.6 miles) from the sea. Material specification for sub frame, fasteners and accessories to cater for maritime conditions according to local standards.

**Advantages of fiber cement products**

- Maximum protection against weather
- Excellent longevity
- Easy installation in any climate
- Almost no maintenance required
- Proven details
- No cracks, paint or sealant problems
- High sustainability
- Non combustible

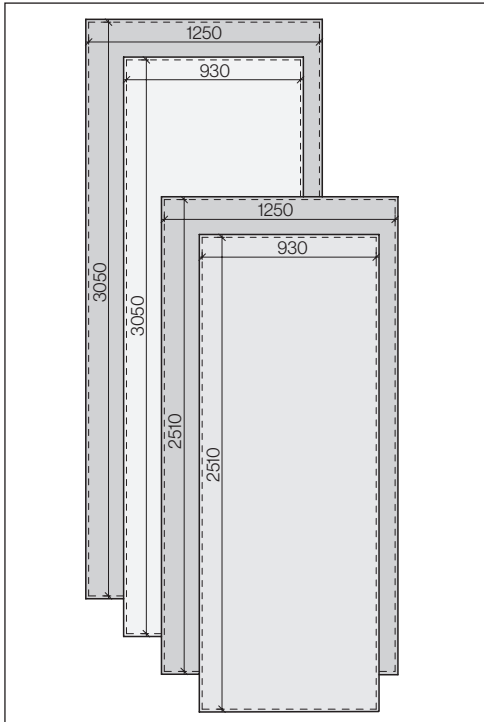
**Project specific ordering**

Subtle visual differences may occur between product batches. Therefore we recommend ordering by job or specific elevation if ordering in phases.

**Disclaimer**

The information and recommendations contained in this Design & Installation Manual ("DIM") are offered as a service to architects, constructors, installer and other persons involved with our products and are not intended to relieve them from their own responsibility. The information and recommendations provided herein are believed by Eternit (Schweiz) AG ("Eternit") to be accurate at the time of preparation of this DIM, or obtained from sources believed to be generally reliable. Eternit makes no warranty concerning the accuracy of the content of this DIM and shall not be liable for claims relating to any use regardless of whether it is claimed that the information or recommendations are inaccurate, incomplete, or otherwise misleading. The information and recommendations herein are intended to be used with the judgment and experience of professional personnel competent to evaluate the significance and limitations of the material contained. Eternit expressly disclaims any guarantees or warranties, expressed or implied, for anything described or illustrated herein and assumes no responsibility or liability for damages of any kind, including - without limitation - bodily harm, injury or damage to property inferred from this DIM or the use of the materials described herein.

**Overview panel sizes**



8 mm & 12 mm thick panels - max. net panel sizes

**Overview**

Swisspearl Largo		Nobilis Terra Planea	Zenor	Carat Reflex Textial Vintago Vintago - Reflex Incora Avera	Carat Reflex
Thickness	mm	8/12	8	8	12
Weight	ca. kg/m <sup>2</sup>	15.7/24.6	15.7	15.7	24.6
Format	mm				
Untrimmed panels:	<b>max. net panel sizes</b>				
3070×1270	3050×1250	■*	■	■	■
2530×1270	2510×1250	■	■	■	■
3070×950	3050×930	■		△	
2530×950	2510×930	■		△	

\* Nobilis and Terra 12 mm panels are only available in size 2510 × 1250 mm.

△ Panels with 930 mm width are only available in CARAT colors Agate, Black Opal, Coral, Crystal, Sapphire and Topaz and require a minimum order quantity of 500 panels. Avoid to mix the two widths. Base sheets in width 1230 and 930 mm are manufactured as different production batches so that the shade may deviate

**Product data**

- Density > 1.75g/cm<sup>3</sup>
- Modulus of elasticity ca. 15'000 MPa
- Design resistance for bending ca. 8.0 MPa
- Thermal expansion coefficient 0.01 mm / m / °K
- Fire classification according to NFPA 285 EN 13 501-1 & A2-s1, d0
- Frostresistance and durability under EN 12467
- Thermal range - 40°C to + 80°C

## **HR coating**

Special coating with increased scratch and UV resistance that allows removal of graffiti using Acetone. Availability as per Program and Colors.

## **F-coating for facade**

For inclined cladding, panels with F-coating cater for increased exposure to weathering. It is opaque and matched to standard finishes, and has higher UV resistance.

## **R-coating for roof**

Roofing panels must have minimum fall of 6° (10.5%). R-coating is opaque and matched to standard finishes, and has higher UV resistance. The panels in the color ranges Amber and Onyx are supplied with standard grey panel core.

## **Application**

Swisspearl Largo panels can be attached to vertical timber or metal profiles. Suitable for new facades or existing cladding renovations.

## **Untrimmed full size panels**

Untrimmed panels will only be provided to approved fabricators. Untrimmed Swisspearl Largo panels must be trimmed 10mm on all four sides.

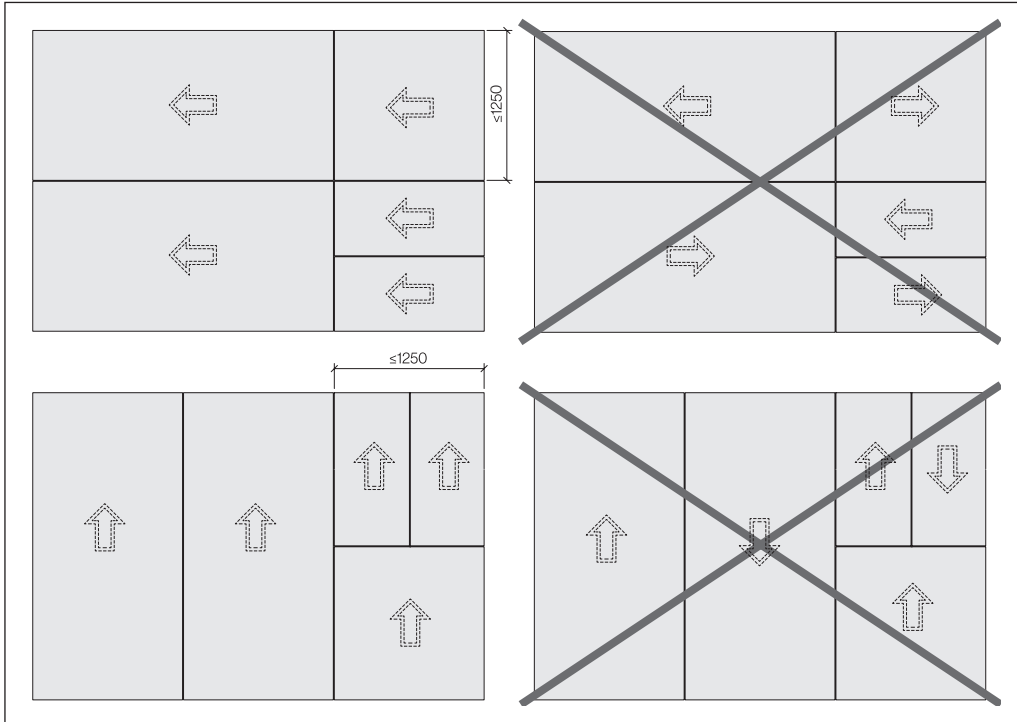
## **Signage, light fittings, etc.**

Provide structural attachment points behind the panel as required. Leave generally min. 6 mm (¼") free gap between panel edge and installation - so as not to constraint the panel movement.

## **Sealed cut edges**

All panel edges cut on site or at fabricators workshop must be sealed by LUKO sealer, provided by Swisspearl.

**Installation Reflex, Vintago, Vintago - Reflex**



When installed, all the arrows on the backside of the Reflex, Vintago and Vintago - Reflex panels must point in the same direction.

Landscape orientation  
**All arrows to the left**

Portrait orientation  
**All arrows up**

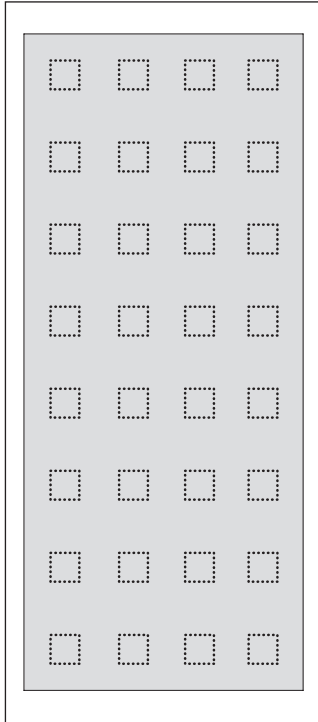
**Cutting CAD drawing**

Regarding panel fabrication at the factory based upon CAD drawings as for odd panel shapes, perforations etc.:

Arrows must be indicated on the drawings to all panels. Panels always shown as seen on building elevation (finished face).

Panels are shown as on building elevation (finished face).

## Adhesive application



## Adhesive technology

Specially ordered ARSB panels are signified by printed squares on the backside of the panel. Please consult with your adhesive manufacture prior to installation. Zenor panels only available for face fastened system.

## General requirements

Glue manufacturer's instructions for use must be strictly followed regarding all aspects, including:

- Cleanliness of panels and support profiles
- Panel and air temperature
- Air moisture content
- Etc.

## Support profiles

- For exterior application the panels may be glued to aluminium supports only.
- Sub framing to be approved by glue manufacturer prior to stating the installation.

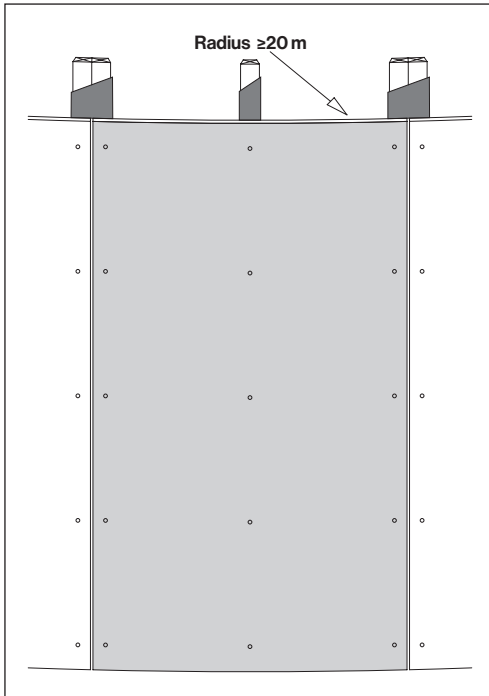
## Panel ordering

Panels ordered for adhesive application are called ARSB and are available upon request at time of order. Standard Swisspearl panels cannot be used for adhesive application.

## Warranty

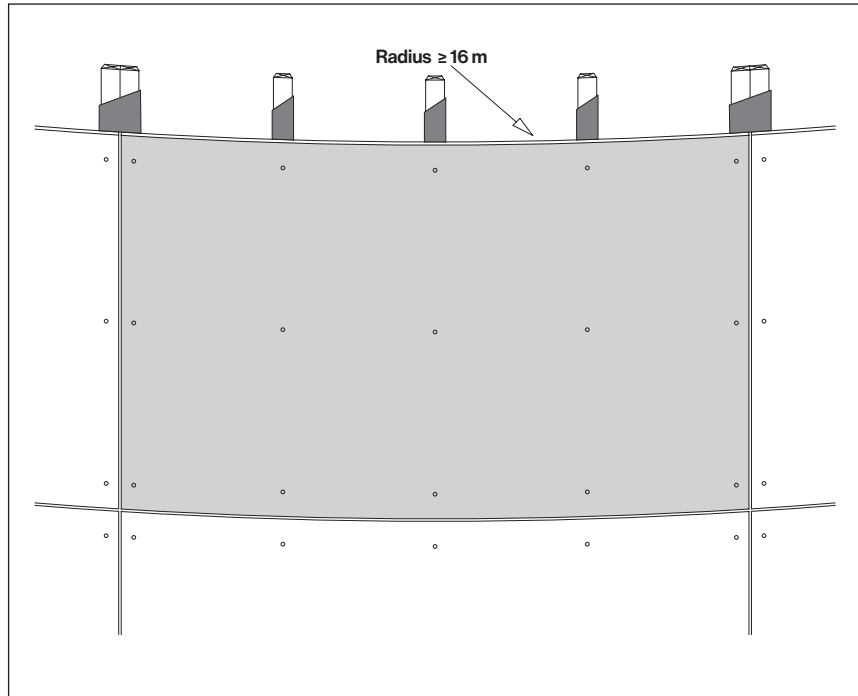
Panel manufacturer provides functional warranty for the panels only. Warranty for the attachment of the panels to be obtained by glue manufacturer.

**Swisspearl Largo 8 mm portrait**



Portrait panels, attached to vertical supports.  
Minimum radius = 20 m. Fix the battens with 2 screws per fixing point.

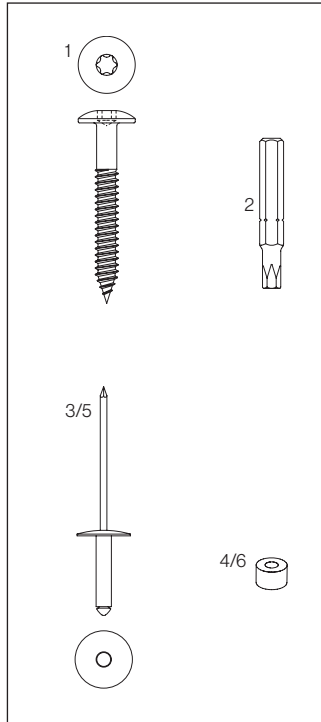
**Swisspearl Largo 8 mm landscape**



Landscape panels, attached to vertical supports at max. 600 mm centers.  
Minimum radius = 16 m. Fix the battens with 2 screws per fixing point.



**Fasteners**



**To timber battens**

- 1 Screw, inox, saucer head Ø 12 mm, T20 drive, blank or powder coated  
4,8×30, **4.8×38 mm**  
4,8×44, 4,8×60 mm
- 2 Torx bit T 20 W

**To aluminium profiles**

- 3 Aluminium rivet head Ø 15 mm, blank or powder coated
  - 4.0×18-K15, 8-13 mm grip range
  - 4.0×24-K15, 13-18 mm grip range
  - 4.0×30-K15, 18-23 mm grip range
- 4 Fixed point sleeve aluminium type 8

**To steel profiles**

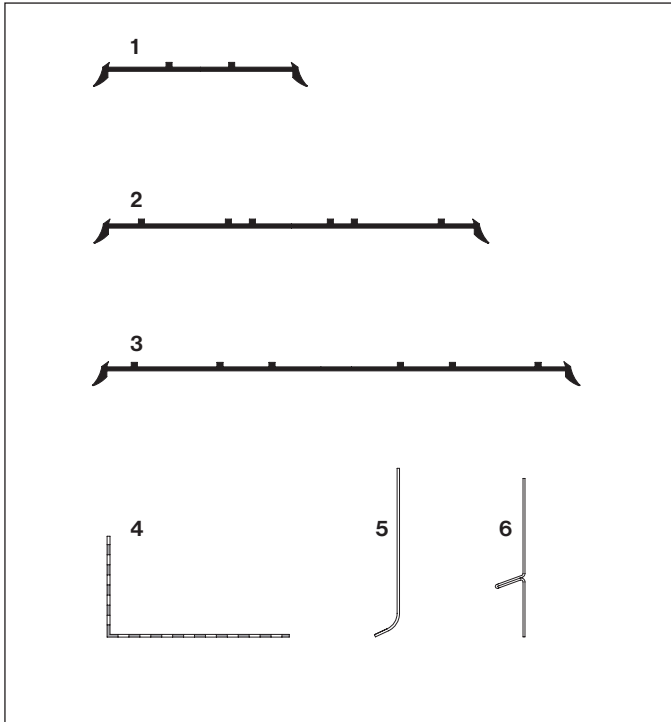
- 5 Stainless steel rivet, head Ø 15 mm, blank or powder coated
  - **4.0×18-K15, 9-14 mm grip range**
  - 4.0×23-K15, 14-19 mm grip range
- 6 Fixed point sleeve stainless steel type 8

**Maritime conditions**

Maritime conditions call the use for stainless steel rivets. Those may be used on steel or anodized aluminum sub frame.

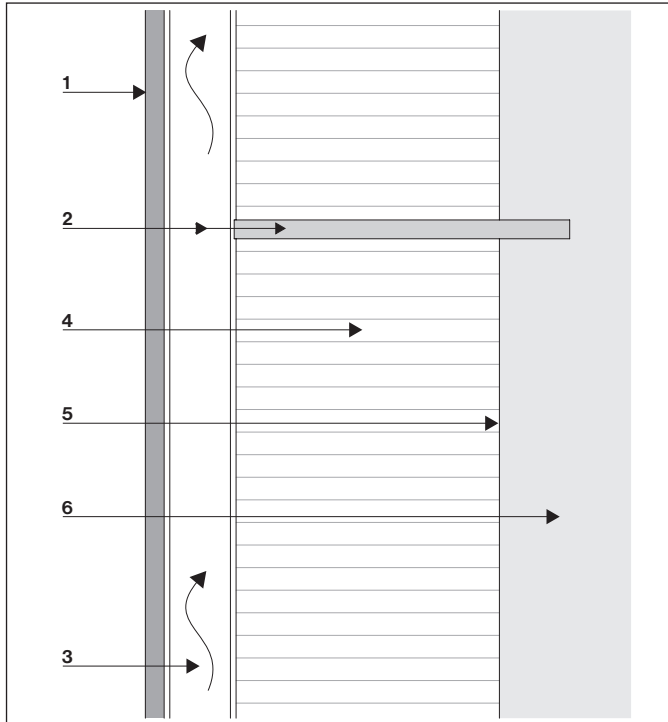
Maritime conditions are considered within a distance of 1 km (0.6 miles) from the sea. Material specification for sub frame, fasteners and accessories to cater for maritime conditions according to local standards.

**Joint material**



- 1 EPDM band, black, 60 mm wide for intermediate supports with side lips, in 50m rolls
- 2 EPDM band, black, 100 & 120 mm wide for butt joints with side lips, in 50m rolls
- 3 EPDM band, black, 150 mm wide for inner and outer corners with side lips, in 25m rolls
- 4 Ventilation profile, raw aluminum or standard colors, 50x30 mm, 70x30 mm, 100x40 mm. 2500 mm long, 0,6 mm thick
- 5 L-flashing, stainless steel, millor powder coated, 0,5 mm thick 2510 / 3050 mm long
- 6 Horizontal joint flashing, aluminium, powder coated black, 0,5 mm thick 2510 / 3050 mm long

## Terminology



Vertical section

### Rear ventilated cladding

The design principle involves the deflection (screening) of the rain water. As the panel joints are not sealed, minimal amounts of water can gain access into the air cavity behind the panel. The cavity is naturally ventilated by vent gaps at bottom and top, so that any moisture will evaporate naturally by thermal action.

### Cladding (1)

Panels with open or closed joints, in one plane or lapped.

### Sub framing (2)

To support the cladding dead and wind load generally vertical panel supports in timber or metal.

### Ventilation cavity (3)

Cavity behind panel with ventilation gaps at bottom and top.

### Thermal insulation layer (4)

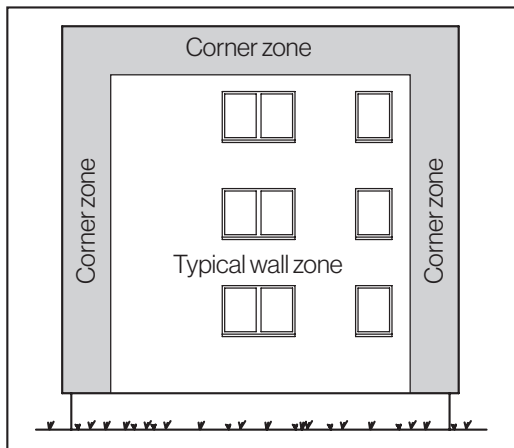
To increase the thermal insulation capacity of the exterior wall.

### Substrate (5)

Face of exterior wall, such as plaster, concrete, exterior sheathing, wind proofing layer, etc.

### Exterior wall (6)

Brick, concrete, wood and steel studs

**Corner zone****Wind load zones**

As per scheme there are two wind load zones: The corner zones generally are subject to increased negative wind load (suction) due to turbulence at the edges of the building. The applicable wind load values must be determined in the cladding specification.

**Min. manufacturer cavity depth:**

Cladding height	min. cavity
< 6 m	20 mm
6 - 30 m	30 mm
> 30 m	40 mm

Mandatory for issuance of the warranty letter.

**Application**

Swisspearl cladding panels can be attached to vertical supports made of timber, aluminium or steel.

**Windload**

Always consider local standards when determining panel fastener differences. This is especially important for tall buildings, for buildings with special shapes and for high wind exposure areas.

**Ventilation cavity**

Building tolerances must be allowed for. The cavity may not be reduced by horizontal profiles or any stray objects such as loose insulation and other materials.

**Building expansion joints**

The buildings structural expansion joints should be considered when designing subframe systems. Structural expansion joints must be applied to sub frame and cladding as provided to the building structure.

**Ventilation cavity**

Minimum airflow at the backside of the panels should be 100% free of obstructions with no less than 200cm<sup>2</sup> of vertical airflow (Min 20mm System depth) behind panels. Minimum air flow at base and top of walls is required to have at least 60% unobstructed ventilation if using ventilated profiles.

**Ventilation cavity with perforated horizontal subframe components**

Min ventilation gap to be 40 mm. Horizontal profiles should allow min. 75% airflow. In advance please contact your Technical Service for approval.

## Panel support

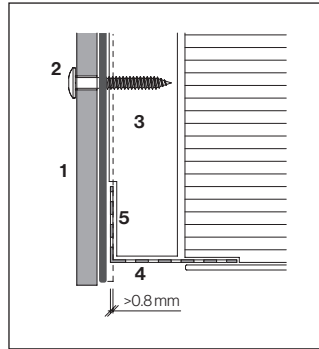
Panel must be supported on an even surface. If perforated angles are placed between the panel and batten/vertical profile the closure piece must not exceed 0.8 mm. Perforated angles have to allow ventilation entrance with a min. perforation of 60%. The use of an aluminium mesh is possible. It has a high ventilation ratio, thin material thickness (no push out of panel) and is easy to install.

## Material compatibility

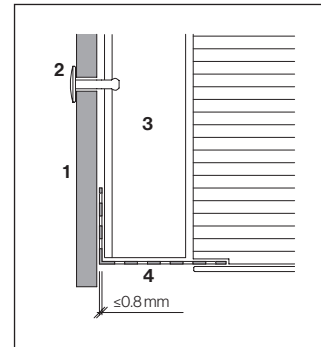
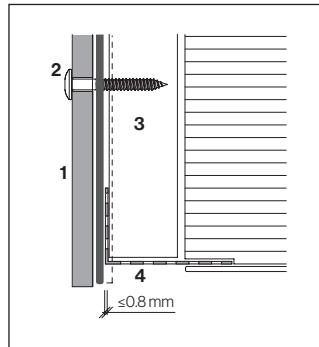
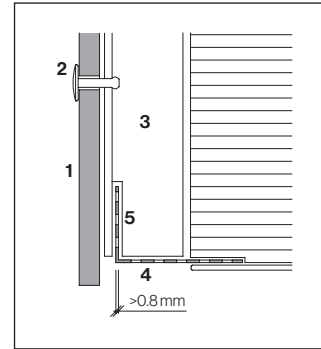
Untreated aluminum material such as Window sills, frames, etc. is not compatible with cement and must be protected against dust from drilling panels, etc. Aluminum components are to be used in anodized or powder-coated or Kynar Coated for exterior applications with protective films.

- 1 Swisspearl Largo
- 2 Fastener
- 3 Panel support
- 4 Perforated angle
- 5 Recess

## Timber battens

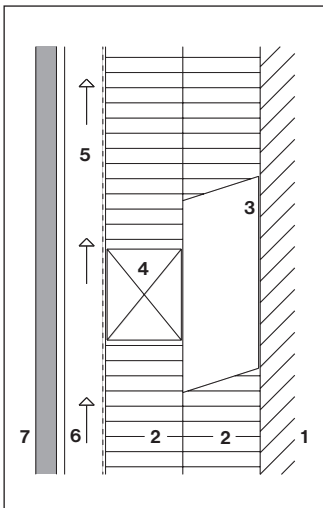


## Metal profile

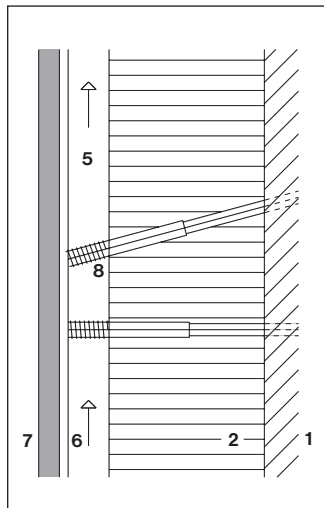


## Sealant material

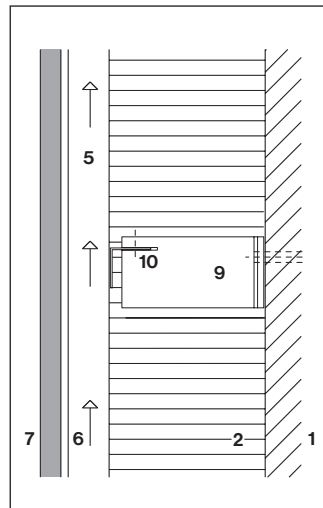
Generally to keep the cladding maintenance free the use of sealants should be avoided. Where the use of sealant is unavoidable Polyurethane, Acrylic or Hybrid Polymer products would be best suitable. Before applying any sealant to fiber cement material the compatibility must be checked as certain materials leave permanent staining on panel surface.

**Sub frame types**

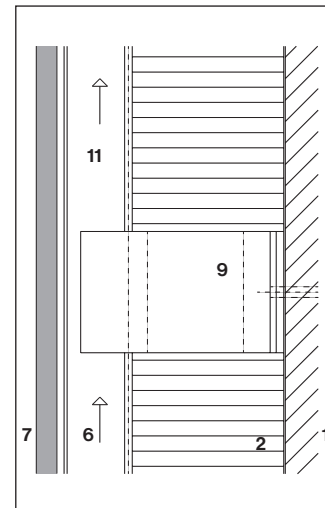
Timber / timber



Timber / spacer screw



Metal / timber verticals

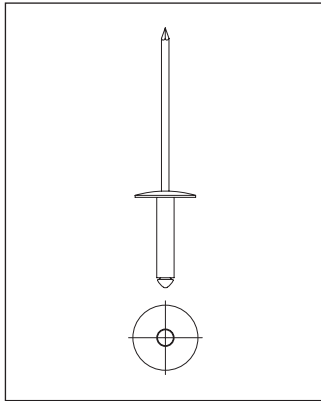


Metal

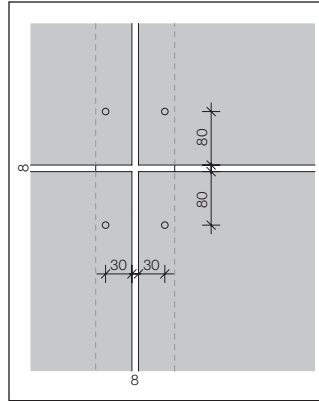
- 1 Substrate
- 2 Thermal insulation
- 3 Vertical batten
- 4 Horizontal batten
- 5 Panel support
- 6 Vent cavity
- 7 Swisspearl Largo panel

- 8 Spacer screw
- 9 Bracket
- 10 Horizontal batten
- 11 Vertical batten

## Swisspearl rivet



Swisspearl rivet  $\varnothing$  15 mm 4.0x18-K15



Panel edge distances

## Holes in panel for rivets

Diameter 9.5 mm

## Standard edge distances

Horizontally 30 mm

Vertically 80 mm

## Minimum edge distances

Horizontally 30 mm

Vertically 60 mm

## Maximum edge distance

Horizontally and vertically 100 mm

## Panel joints

Typical panel joint is 8 mm, this allows panel scraps to be used as spacers. Wider joints will make any inaccuracies in the installation less noticeable.

## Fixed, sliding points

Each panel must be fastened by 2 fixed points in the panels center to support the panels deadload. All other rivets are sliding points.

## Drill holes $\varnothing$ 4.1 mm to metal profiles

Use centering drill gauge so the holes will be concentric to the  $\varnothing$  9.5 mm hole in the panel. Use drill bit type A for aluminum profiles and type S for steel.

## Sub-frame engineering

Engineer / contractor is responsible for the design and installation of all sub frame parts including all pertaining fasteners.

The sliding point connection is **NOT** meant to accommodate building drift or seismic movement.

**Aluminium profiles**

Aluminium thickness should be a min. of 2 mm. Profiles should not exceed 3 m and profile breaks should coincide with panel joints.

**Aluminium rivet**

4.0 x 18 - K15 rivet, head Ø 15 mm, powder coated or blank, grip range 8 - 13 mm.

**Staggered horizontal panel joints**

Use two vertical profiles to vertical panel joint so that each can be broken on its horizontal panel joint level.

**Black panel joints**

Panel joints read as shadow lines. It is recommended to blacken the metal where visible, with paint or PVC paint tape.

**Steel profiles**

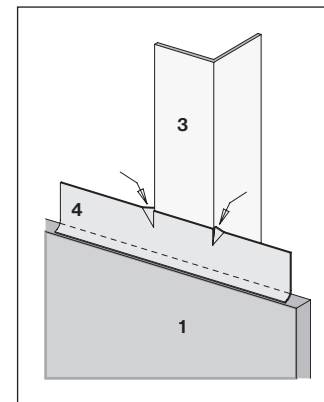
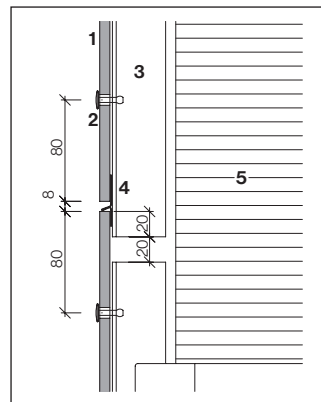
Steel panel supports to be min. gauge 18 (1.27 mm / 0.05") to obtain nominal pull out value. Profiles should not be longer than 6 m (20').

**Stainless steel rivet**

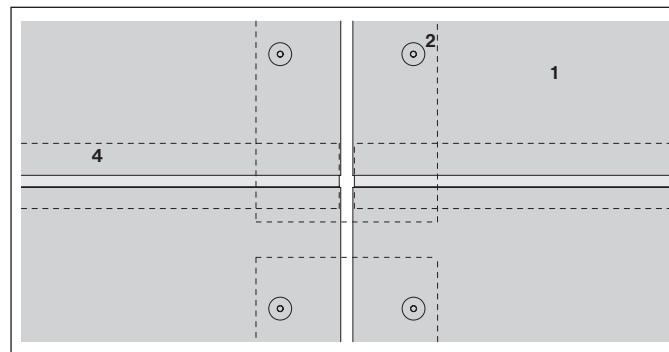
4.0 x 18 - K15 rivet, head Ø 15 mm, powder coated or blank, grip range 9 - 14 mm.

**Sub-frame engineering**

Engineer / contractor is responsible for the design and installation of all sub frame parts including all pertaining fasteners.

**Horizontal joint**

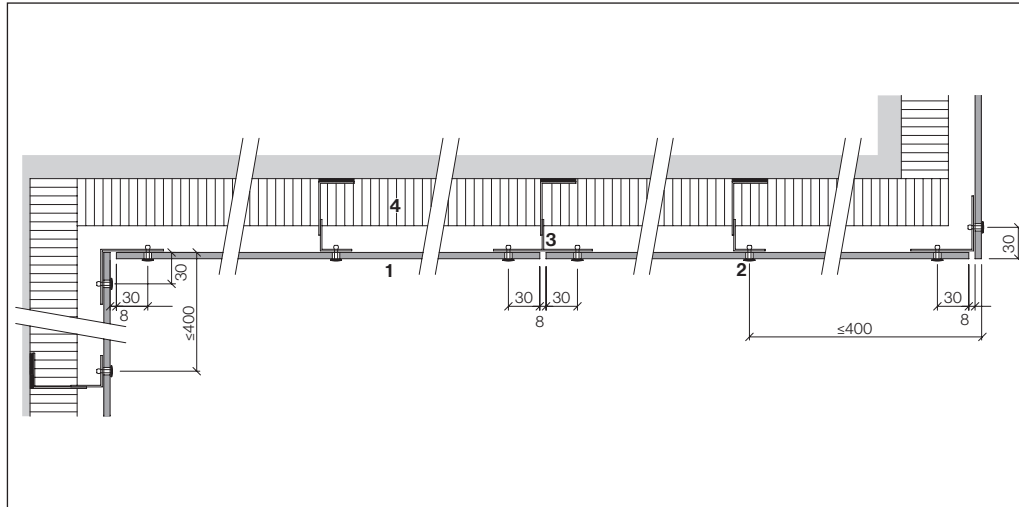
- 1 Swisspearl Largo 8 mm
- 2 Rivet
- 3 Panel support profile
- 4 Joint flashing (optional).  
L = panel width - 2 mm.
- 5 Thermal insulation



Any breaks to panel support profiles must be located at panel joints as shown. Flashing cut at one vertical as shown to prevent lateral dislocation of flashing.



## Horizontal section



Panel may be cantilevered max. 400 mm.

- 1 Swisspearl Largo 8 mm
- 2 Rivet
- 3 Aluminum profile
- 4 Thermal insulation

**Rivet installation**

Use rivet gun GESIPA ACCUBIRD or similar. Do not use pneumatic equipment. Use centering drill gauge with drill bit  $\varnothing 4.1$  mm to obtain concentric hole [A/3].

**Fixed point for Aluminum Sub-frame**

Fixed point for Aluminum, Type 8  $\varnothing 9.4$  mm [B/4]

- Rivet head  $\varnothing 15$  mm 4.0×18-K15, blank or powder coated, grip range 8-13 mm

**Fixed point for Steel Sub-frame**

Fixed point steel A2, Type 8,  $\varnothing 9.4$  mm [B/4]

- SS Rivet, head  $\varnothing 15$  mm, 4.0×18-K15, blank or powder coated, grip range 9-14 mm

Each panel must be fastened by 2 fixed fastening points in the panel center, installed first. All the others are sliding points.

**Sliding points for Aluminum Sub-frame**

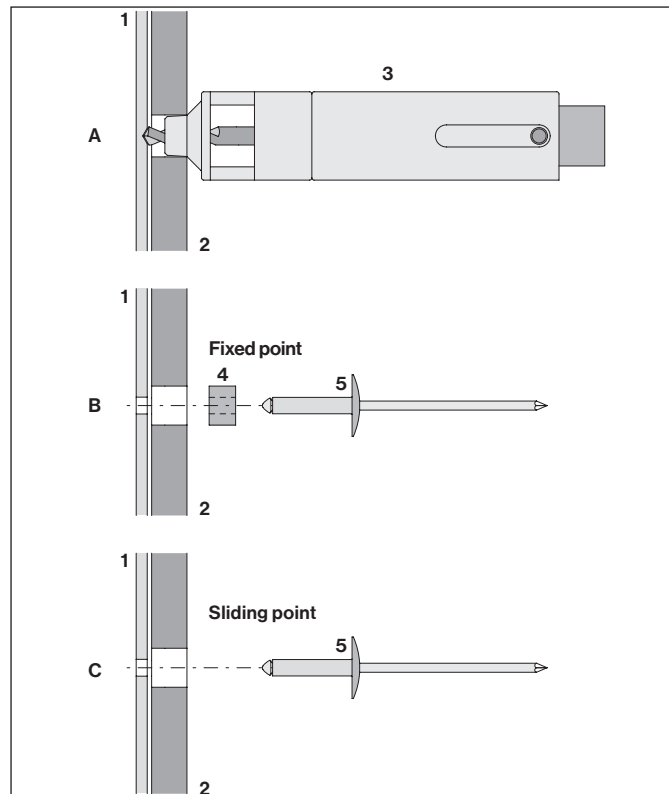
Use centering drill gauge with drill bit  $\varnothing 4.1$  mm to obtain concentric hole [C/5]

- Alu Rivet, head  $\varnothing 15$  mm 4.0×18-K15, blank or powder coated, grip range 8-13 mm. Sliding points for Steel Sub-frame use centerer drill gauge with drill bit  $\varnothing 4.1$  mm to obtain concentric hole [C/5]

**Sliding points for Steel Sub-frame**

- Sliding points for Steel Sub-frame. Use centering drill gauge with drill bit  $\varnothing 4.1$  mm to obtain concentric hole [C/5]
- SS Rivet, head  $\varnothing 15$  mm, 4.0×18-K15, blank or powder coated, grip range 9-14 mm

- 1 Support profile
- 2 Swisspearl Largo 8 mm
- 3 Concenter drill gauge
- 4 Fixed point sleeve, type 8
- 5 Rivet 4.0 x 18 - K15



**Metal sub frame - 8 mm facade panels - rivet distances**

Characteristic value of wind suction (according to European standards)		Design value of wind suction (including a chosen safety coefficient of 1.5)		Recommendation for maximal spacing d (distance between rivets or screws)			
				Vertical panel (portrait)		Horizontal panel (landscape)	
kN/m <sup>2</sup>	psf	kN/m <sup>2</sup>	psf	horizontally mm	vertically mm	horizontally mm	vertically mm
-0.70	-13.90	-1.0	-20.9	600	725	725	530
-1.00	-20.90	-1.5	-31.3	600	590	675	530
-1.30	-26.50	-1.9	-39.7	600	490	520	530
-1.80	-37.60	-2.7	-56.4	400	490	430	370
-2.30	-48.70	-3.5	-73.1	400	420	400	370
-2.70	-55.70	-4.0	-83.5	400	330	370	370
-3.30	-69.60	-5.0	-104.4	300	370	370	280
-4.00	-83.50	-6.0	-125.3	300	330	330	220

Above table is a guide line for 2 or more fasteners in vertical and horizontal direction. The spacings originate from 1250x3050 mm full size panels with equal distances between rivets. Data may be interpolated.

**Metal sub frame - 8 mm facade panels - rivet distances****Engineering responsibility**

The spacings in above table are provided as indication. For the actual cladding design a locally licensed engineer shall assume responsibility for calculation and verification.

**Panel data**

- Modulus of elasticity  
MOE ca. 15'000 MPa
- Modulus of rupture  
(characteristic)  
MOR (average) > 22 MPa
- Design value bending  
resistance 8.0 MPa  
(2.5 safety factor)
- Density > 1.75g/cm<sup>3</sup>

**Characteristic values****Resistance of aluminum and steel rivets 4.0x18 K15**

<b>Position</b>	<b>Distance between fasteners (spacing)</b>
	600 mm
Middle	2000 N
Edge	950 N
Corner	1200 N

The data was evaluated according to ETAG 034 using 8 mm panel, and includes no safety factor. Diameter of panel hole must be 9.5 mm, and rivet head must be 15 mm.

Min. thickness for steel profiles to be 1.27 mm, and 2 mm for aluminum. Edge distances 30 mm horizontally, 80 mm vertically. The data may be interpolated.

**Metal sub frame - 12 mm facade panels - rivet distances**

Characteristic value of wind suction (according to European standards) kN/m <sup>2</sup> psf		Design value of wind suction (including a chosen safety coefficient of 1.5) kN/m <sup>2</sup> psf		Recommendation for maximal spacing d (distance between rivets or screws)			
				Vertical panel (portrait)		Horizontal panel (landscape)	
				horizontally	vertically	horizontally	vertically
				mm	mm	mm	mm
2.08	43.44	3.12	65.16	570	725	725	570
-2.31	-48.31	-3.47	-72.47	570	670	670	570
-2.88	-60.15	-4.32	-90.22	570	565	565	570
-3.39	-70.73	-5.08	-106.09	570	480	480	570
-4.22	-88.13	-6.33	-132.20	570	385	385	570
-5.10	-106.51	-7.65	-159.77	380	725	725	380
-7.09	-148.00	-10.63	-222.00	380	375	375	380
-8.86	-185.04	-13.29	-277.56	380	300	300	380

Above table is a guide line for 2 or more fasteners in vertical and horizontal direction. The spacings originate from 1250x3050 mm full size panels with equal distances between rivets. Data may be interpolated.

**Metal sub frame - 12 mm facade panels - rivet distances****Engineering responsibility**

The spacings in above table are provided as indication. For the actual cladding design a locally licensed engineer shall assume responsibility for calculation and verification.

**Panel data**

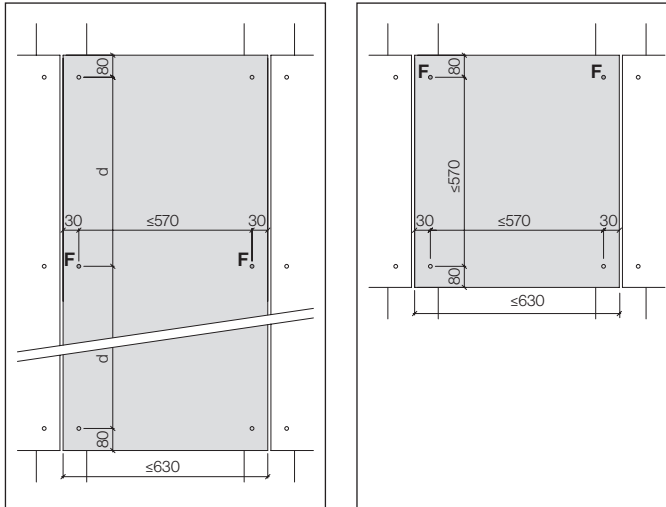
- Modulus of elasticity  
MOE ca. 15'000 MPa
- Modulus of rupture  
(characteristic)  
MOR (average) > 22 MPa
- Design value bending  
resistance 8.0 MPa  
(2.5 safety factor)
- Density > 1.75g/cm<sup>3</sup>

**Characteristic values****Resistance of aluminum and steel rivets 4.0x24 K15**

<b>Position</b>	<b>Distance between fasteners (spacing)</b>
	600 mm
Middle	1950 N
Edge	1450 N
Corner	1350 N

The data was evaluated according to ETAG 034 using 12 mm panel, and includes no safety factor. Diameter of panel hole must be 9.5 mm, and rivet head must be 15 mm. Min. thickness for steel profiles to be 1.27 mm, and 2 mm for aluminum. Edge distances 30 mm horizontally, 80 mm vertically. The data may be interpolated.

## Single span no intermediate support



### Single span

Fixed point  $\varnothing$  9.5 mm [F]

Sliding point  $\varnothing$  9.5 mm

### Soffit panels

Fastener distances for soffit panels and suspended ceilings not to exceed 500 mm.

- Fixed point  $\varnothing$  9.5 mm [F]
- Sliding point  $\varnothing$  9.5 mm

Max. distance between fasteners for single span panels 570 mm, unless smaller distances is required by high wind load as per table of fastener distances.

If more than 3m single span panels are horizontally adjoining each other - the chain of vertical T-profiles must be interrupted with 2 L-profiles.

Consult with technical advisor.

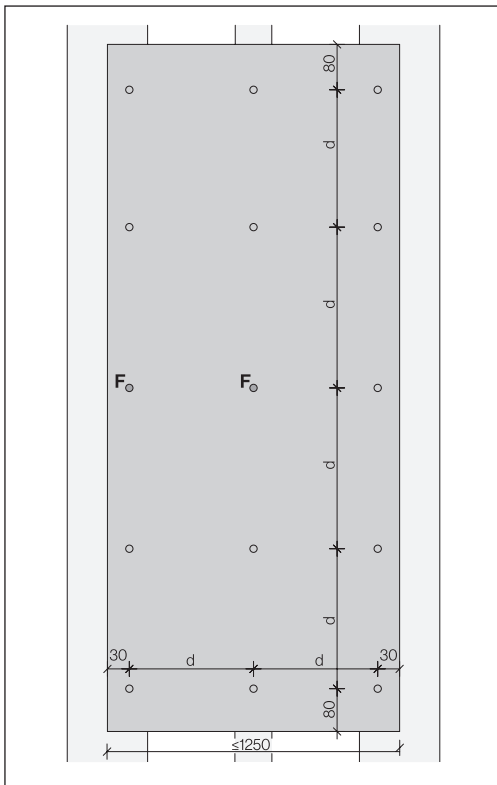
# Design I Metal supports

Swisspearl Largo

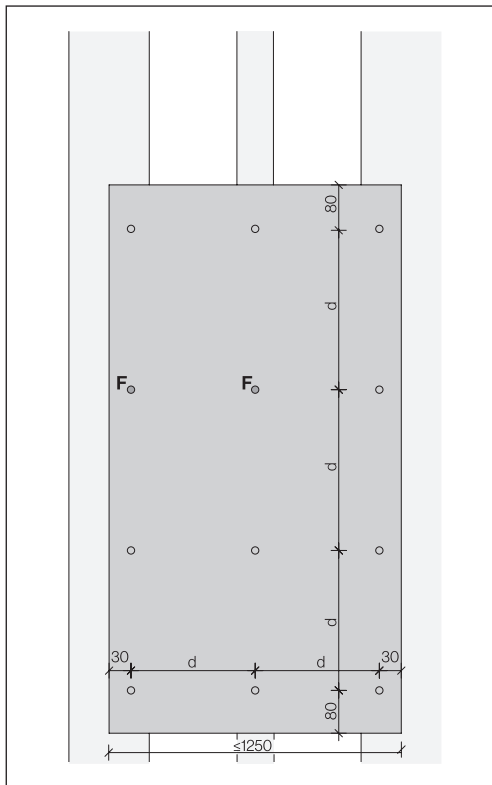
Sample rivet layouts, final layout to be determined by a local structural engineer.

**Swisspearl Largo vertical panel (portrait)**

**Swisspearl Largo vertical panel (portrait)**



Fixed points [F] center and left.



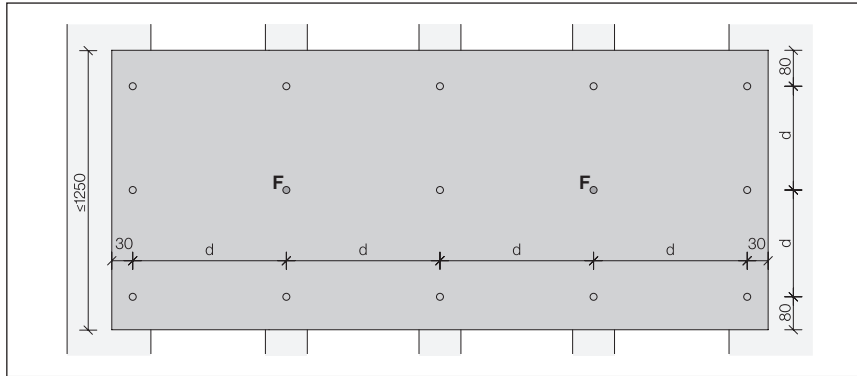
If no rivet at half height go with [F] to row above.

- Fixed point
  - Sliding point
- Ø9.5 mm [F]  
Ø9.5 mm

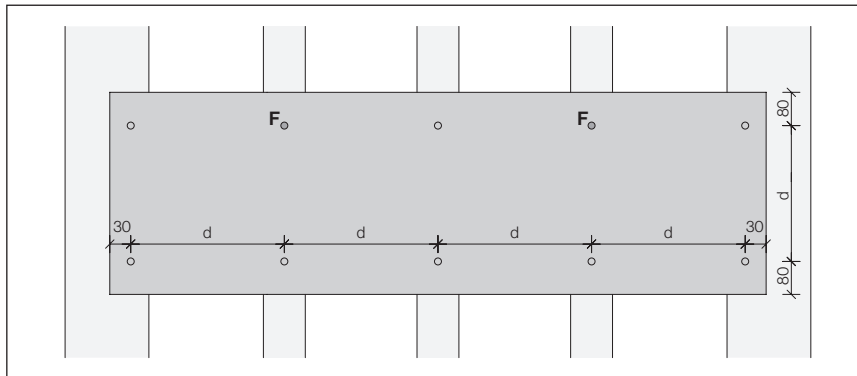


Sample rivet layouts, final layout to be determined by a local structural engineer.

## Swisspearl Largo horizontal panel for odd number of rivets



Between fixed points, the max. distance can be 1 sliding point



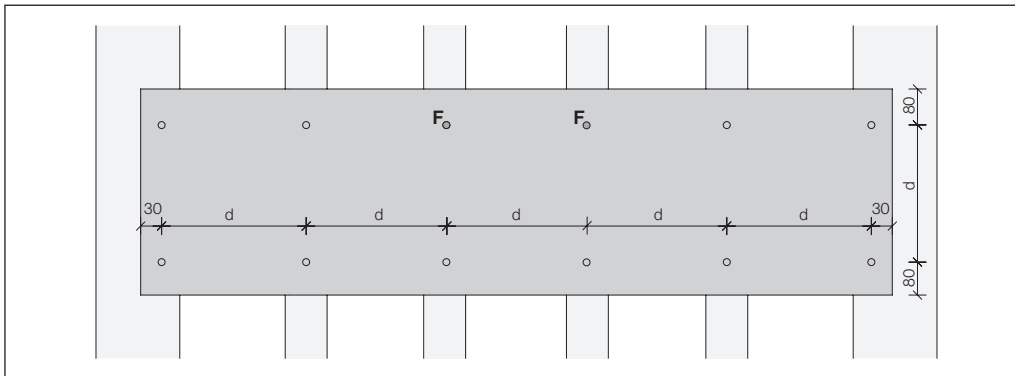
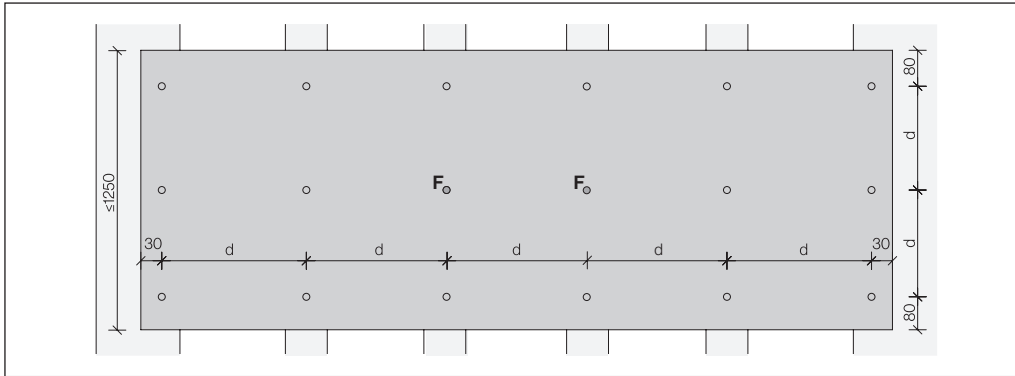
- Fixed point
  - Sliding point
- Ø9.5 mm [F]  
Ø9.5 mm

## Design I **Metal supports**

Swisspearl Largo

Sample rivet layouts, final layout to be determined by a local structural engineer.

### Swisspearl Largo horizontal panel (landscape) for even number of rivets



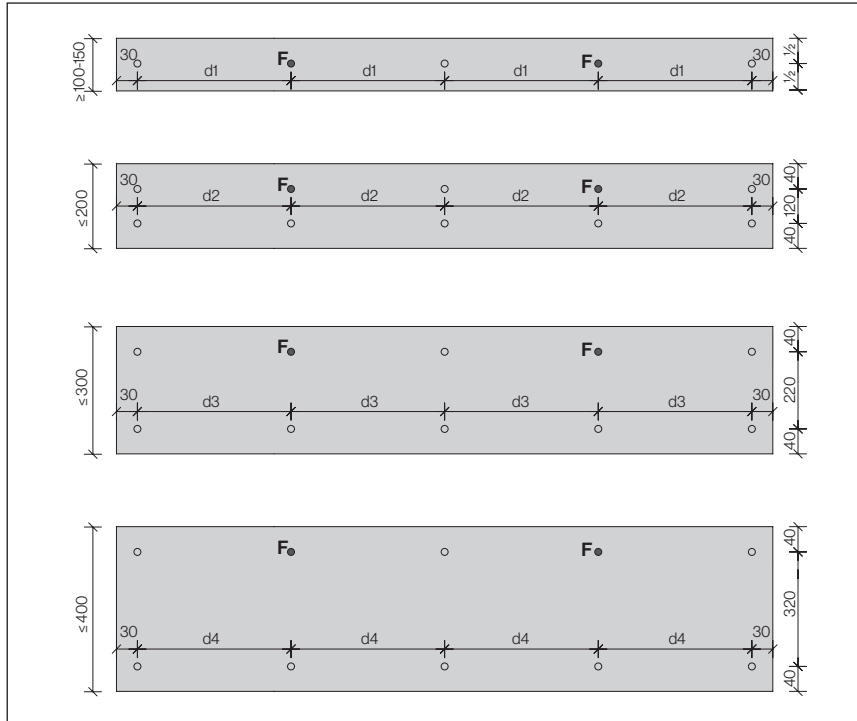
- Fixed point
- Sliding point

Ø9.5 mm [F]  
Ø9.5 mm

# Design | Metal supports

Sample rivet layouts, final layout to be determined by a local structural engineer.

## Swisspearl Largo stripes or Linearis



## Fastener distances [d1-d4]

Wind load	$\leq 0.45 \text{ kN/m}^2$
Building height up to (m)	$\leq 10$
Strip width 100-150 mm [d1]	400
Strip width $\leq 200$ [d2]	450
Strip width $\leq 300$ [d3]	500
Strip width $\leq 400$ [d]	see page 19

Swisspearl Linearis panel strips are delivered without drill holes. Installation details as per this DIM are applicable.

- Fixed point  $\varnothing 9.5 \text{ mm [F]}$
- Sliding point  $\varnothing 9.5 \text{ mm}$

**Swisspearl Largo stripes or Linearis with open joints****Product**

Swisspearl Linearis are ready-made Largo panel strips, for installing with open joints. Whether monochrome or multicolored, equal or varying format lengths, with continuous or offset joints – there is immense scope for different combinations.

**Panel sizes Linearis**

1500×147×8 mm	4.37 Pieces/m <sup>2</sup>
2000×147×8 mm	3.28 Pieces/m <sup>2</sup>
2500×147×8 mm	2.63 Pieces/m <sup>2</sup>
1500×300×8 mm	2.18 Pieces/m <sup>2</sup>
2000×300×8 mm	1.64 Pieces/m <sup>2</sup>
2500×300×8 mm	1.31 Pieces/m <sup>2</sup>

5 mm joints

**Holes in panel for rivets**

Fastener holes to be done at the jobsite. Diameter 9.5 mm.

**Panel joints**

Swisspearl Linearis typical panel joint is 5 mm. Wider joints will make any inaccuracies in the installation less noticeable.

**Installation Reflex, Vintago and Vintago - Reflex**

When installed, all the arrows on the backside of the Reflex, Vintago and Vintago - Reflex panels must point in the same direction.

**Fixed point for Aluminum Sub-frame**

Fixed point for Aluminum, Type 8 diameter 9.4 mm [B/4]

- Rivet head diameter 15 mm  
4.0×18-K15, blank or powder coated, grip range 8-13 mm.

**Fixed point for Steel Sub-frame**

Fixed point steel A2, Type 8, diameter 9.4 mm [B/4]

- SS Rivet, head diameter 15 mm,  
4.0×18-K15, blank or powder coated, grip range 9-14 mm.

**Drill holes diameter 4.1 mm to metal profiles**

Use concenter drill gauge so that the holes will be concentric to the diameter 9.5 mm hole in the panel. Use drill bit type A for aluminum profiles and type S for steel.

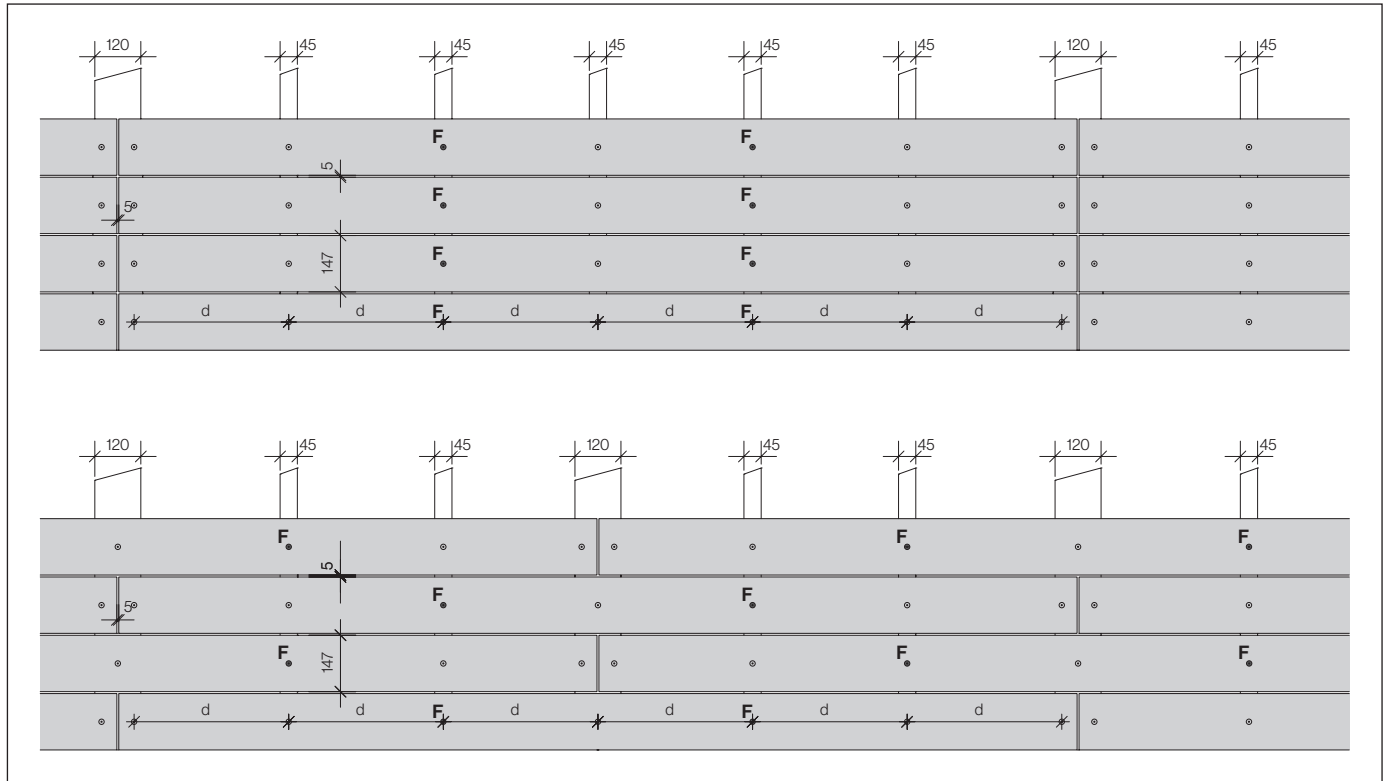
**Details**

Installation details as per this DIM are applicable.

**Vertical installation**

The arrangement of Swisspearl Linearis is usually horizontal. For the execution of a vertical application please contact the Technical Service.

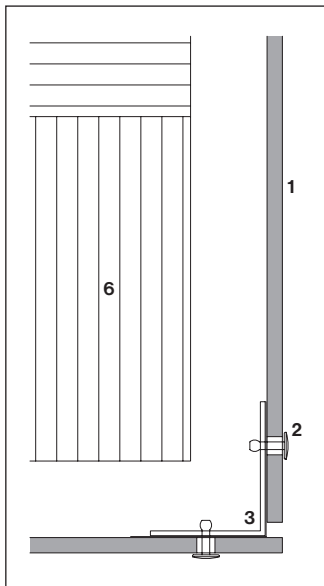
**Swisspearl Linearis example**



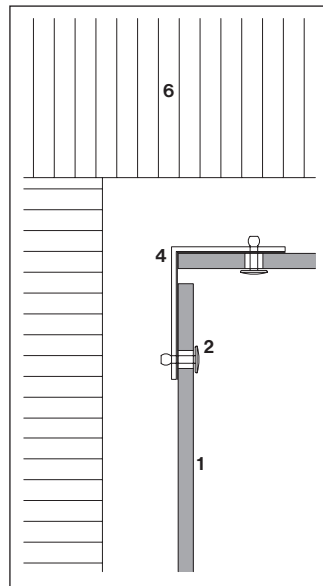
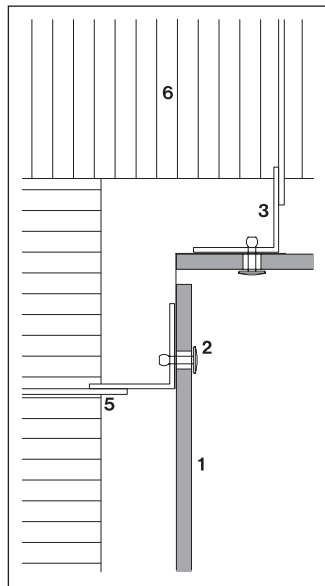
Attention! Staggered layout with centric T-profiles, the fastener hole is located in the center of the bracket.

- Fixed point
- Sliding point
- 9.5 mm [F]
- 9.5 mm

**Example outer corner**



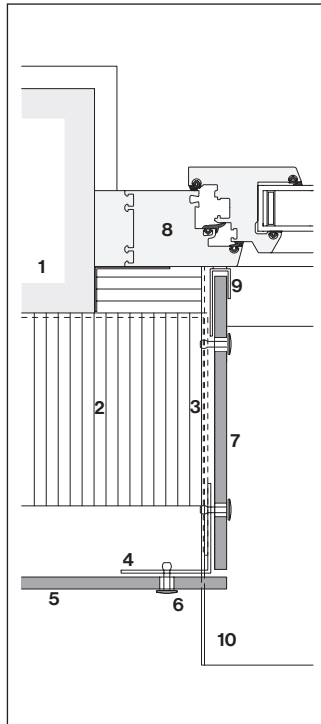
**Example inner corner**



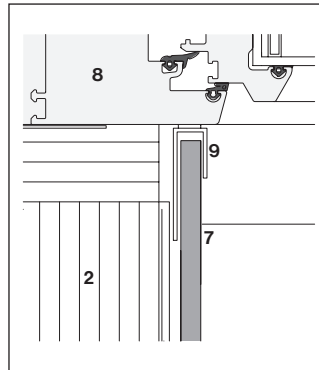
- 1 Swisspearl Largo 8 mm
- 2 Rivet 4.0×18-K15
- 3 Min. angle 60 x 60 mm
- 4 Min. angle 70 x 60 mm
- 5 Bracket
- 6 Thermal insulation

Corner angle not attached back to building as shown can be cantilevered up to 400 mm

## Example window jamb

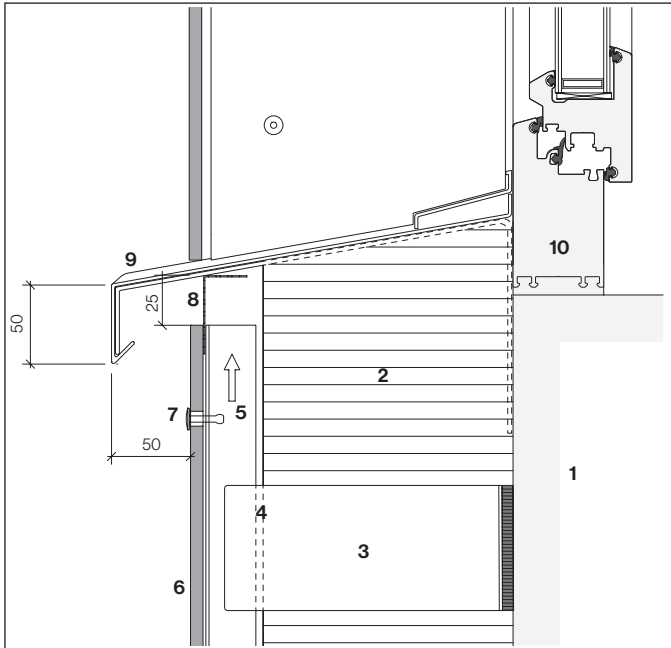


Jamb with 8 mm panel

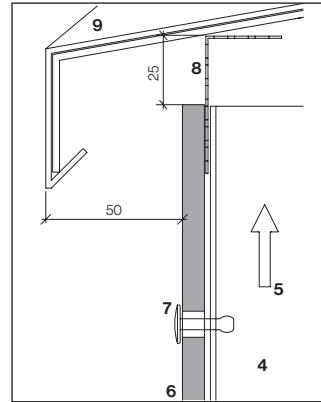


Window jamb with metal frame

- 1 Exterior wall
- 2 Thermal insulation
- 3 Horizontal support
- 4 Vertical support
- 5 Swisspearl Largo 8 mm
- 6 Rivet 4.5x18 K15
- 7 Swisspearl Largo jamb board 8 mm
- 8 Window frame
- 9 U or F-profile with sealant
- 10 Window sill

**Example window sill**

Window sill made of metal

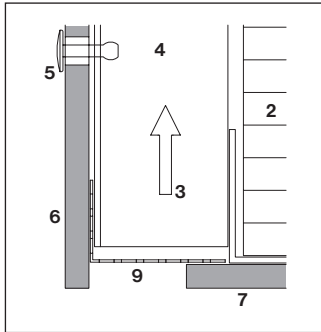


Sill detail

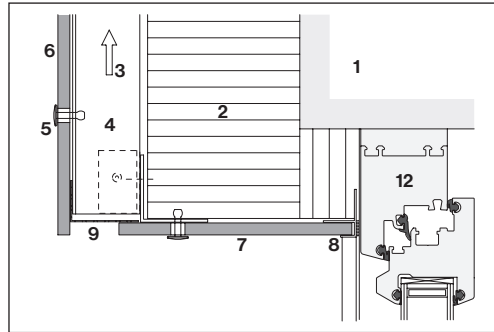
- 1 Exterior wall
- 2 Thermal insulation
- 3 Bracket
- 4 Vertical support
- 5 Ventilation cavity
- 6 Swisspearl Largo 8 mm
- 7 Rivet 4.0×18-K15
- 8 Perforated angle
- 9 Window sill
- 10 Window frame



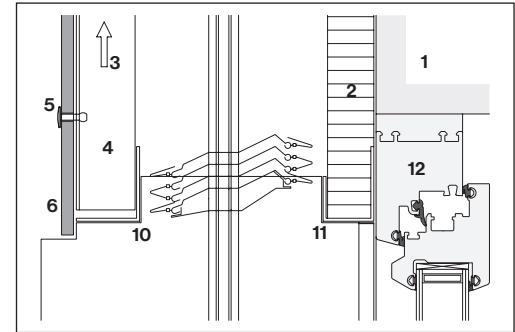
## Example window head



Perforated angle



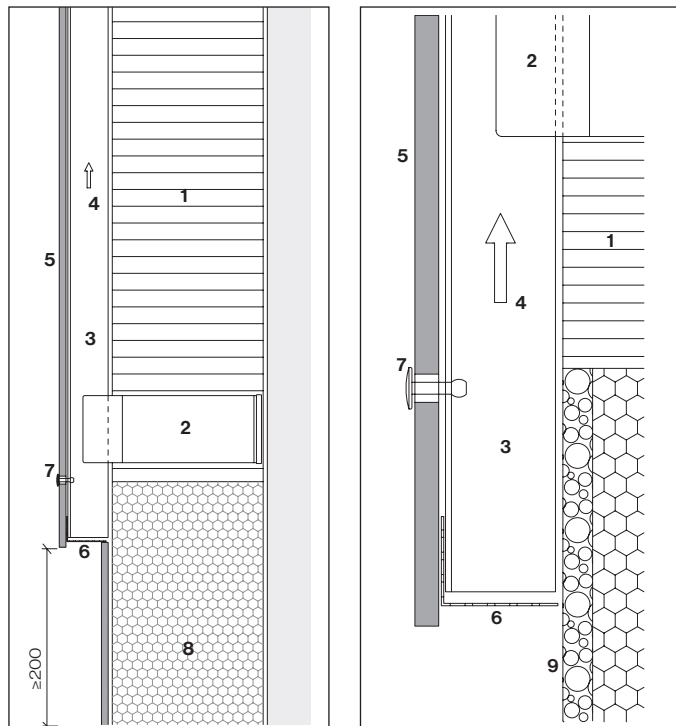
Metal framing around whole window



Head detail sun shutter

- 1 Exterior wall
- 2 Thermal insulation
- 3 Ventilation cavity
- 4 Vertical support
- 5 Rivet 4.0×18-K15
- 6 Swisspearl Largo 8 mm
- 7 Swisspearl Largo 8 mm

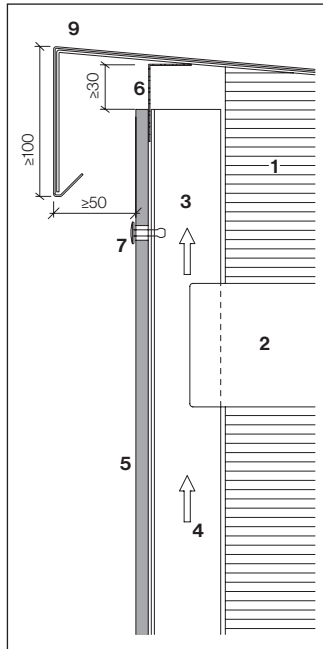
- 8 U or F-profile
- 9 Perforated angle
- 10 Reinforcing profile
- 11 Angle profile insulation
- 12 Window frame

**Example bottom detail**

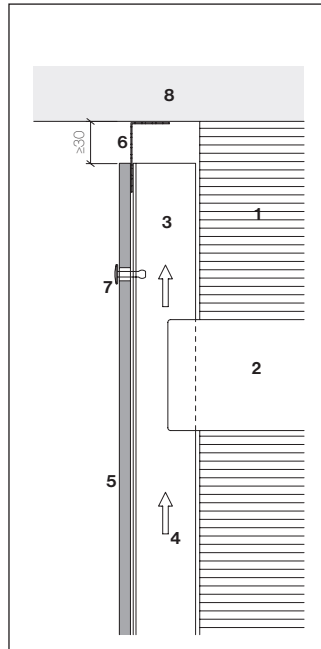
- 1 Thermal insulation
- 2 Bracket
- 3 Vertical support
- 4 Ventilated cavity
- 5 Swisspearl Largo 8 mm
- 6 Perforated angle
- 7 Rivet 4.0x18-K15
- 8 Thermal insulation
- 9 Thermal insulation water resistant

In order to avoid damages its advised to keep a minimum distance of 200mm from bottom of the panel to the ground

## Example coping detail

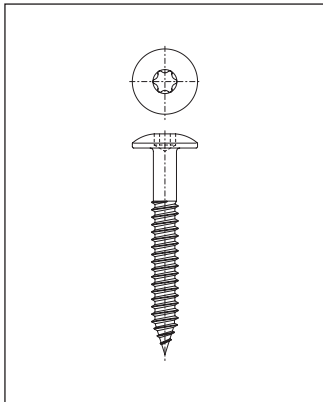


Coping detail

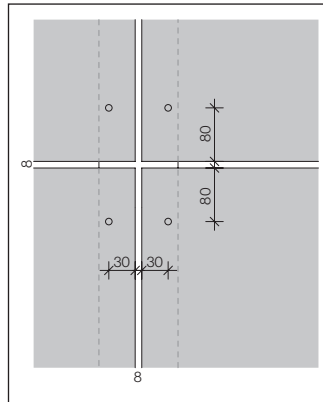


Details under slab

- 1 Thermal insulation
- 2 Bracket
- 3 Vertical support
- 4 Ventilated cavity
- 5 Swisspearl Largo 8 mm
- 6 Perforated angle
- 7 Rivet 4.0×18-K15
- 8 Soffit
- 9 Coping

**Swisspearl screw**

Swisspearl screw, stainless steel, saucer head  $\varnothing$  12 mm, T20 drive, 4.8 $\times$ 38 mm.

**Distances to panel edge****Panel hole**

Diameter 5.5 mm

**Standard edge distances**

Horizontally 30 mm

Vertically 80 mm

**Minimum edge distances**

Horizontally 30 mm

Vertically 60 mm

**Maximum edge distance**

Horizontally and vertically max.

100 mm

**Panel joints**

Typical panel joint is 8 mm, this allows panel scraps to be used as spacers. Wider joints will make any inaccuracies in the installation less noticeable.

**Installation**

The screws must be installed with depth stop at 90 degrees set to the panel. The screw head must rest even to the panel.

**Sub-frame engineering**

Engineer / contractor are responsible for the design and installation of all sub framing parts including all pertaining fasteners.

**Timber battens**

Straight grown pine, dry (max. 20% moisture content).

## Timber battens

Installation over timber battens is allowed provided the design meets local engineered codes and standards.

## Timber quality

Battens must be thickness gauged to 1 face:

- Thickness min. 27 mm (min. 3/4")
- Always use planed surface timber
- Solidity class II (FK II/C24)
- Recommended only using kiln-dried lumber
- Moisture content max. 20-%
- Timber must be of equal or higher quality

## Vertical battens

At panel joints:

2 x 27 x 60 mm or

1 x 27 x 120 mm

Intermediate supports:

27 x 60 mm

## Engineering

Battens including their attachment to be engineered per local standards.

## Battens screw

Screw Ø min. 6 mm

Head Ø min. 12 mm

For battens wider than 60 mm use two screws per point of attachment. Rear ventilation, thermal insulation, moisture proofing, wind proofing layers. All local standards are applicable and must be complied with.

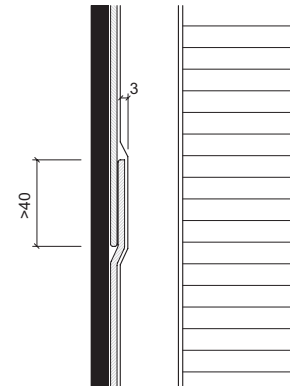
## Joint flashing

Horizontal joint and L-flashing should be 2 mm shorter than panel and thus not visible in vertical joints. If required butt joint the flashings on any batten, do not overlap flashing.

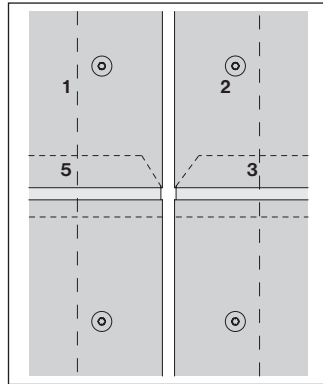
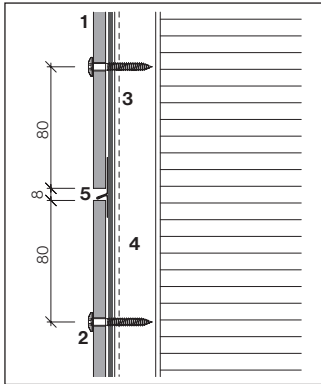
L-flashings and horizontal joint flashing are not 100% waterproof! Therefore all timber battens must be fully covered by EPDM bands to protect them against moisture and to prevent rotting and the growth of fungi and mold.

## EPDM strips

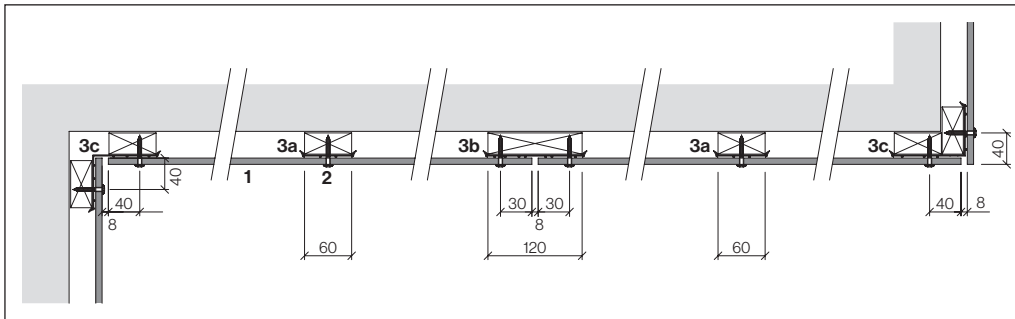
All timber battens must be fully covered by EPDM backing strips stapled to the battens. Stapled at the edges of the bands. EPDM strips to be in one single piece top to bottom or overlapped as per diagram.



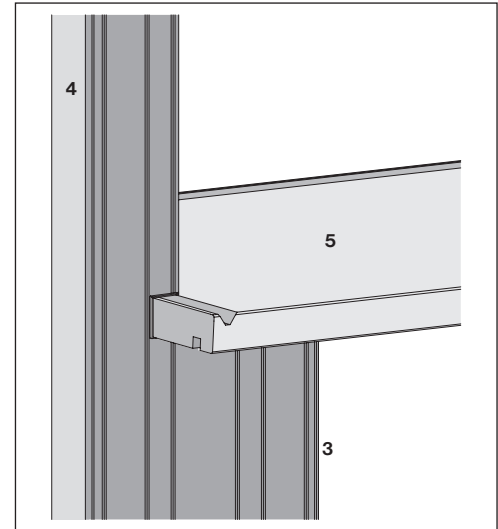
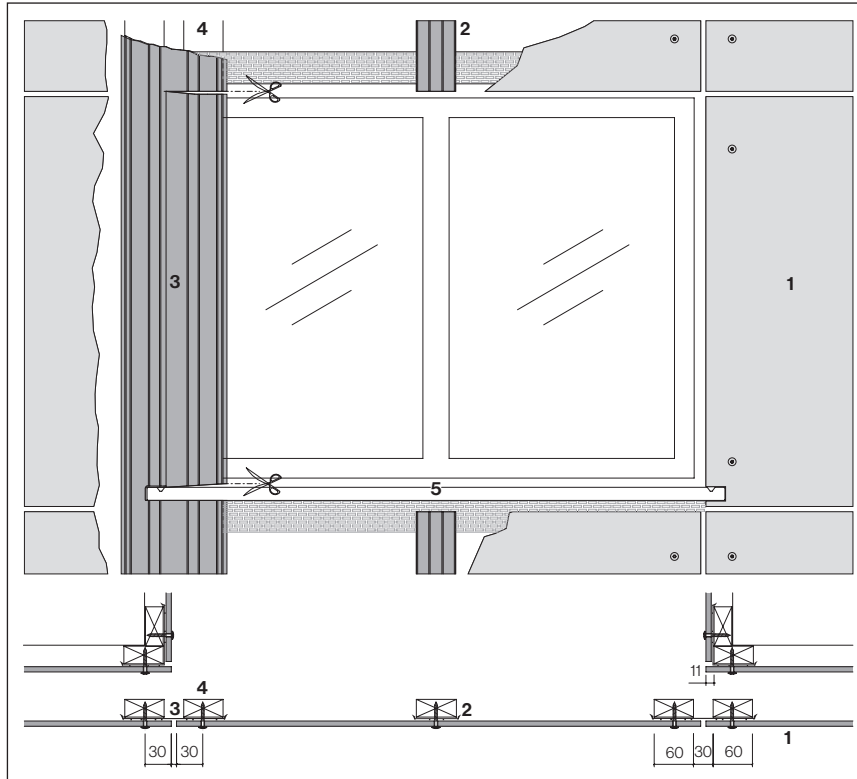
EPDM strip overlap

**Horizontal panel joint**

- 1 Swisspearl Largo 8 mm
- 2 Screw
- 3a EPDM band 60 mm
- 3b EPDM band 120 mm
- 3c EPDM band 150 mm
- 4 Batten 27×60, 27×120 mm
- 5 Joint flashing

**Horizontal section through vertical battens**

**Vertical joint at window**



- 1 Swisspearl Largo 8 mm
- 2 EPDM band 60 mm
- 3 EPDM band 150 mm
- 4 Batten 27x60 mm
- 5 Swisspearl window sill

**Timber battens - 8 mm facade panels – screw distances**

Characteristic value of wind suction (according to European standards)		Design value of wind suction (including a chosen safety coefficient of 1.5)		Recommendation for maximal spacing d (distance between rivets or screws)			
				Vertical panel (portrait)		Horizontal panel (landscape)	
kN/m <sup>2</sup>	psf	kN/m <sup>2</sup>	psf	horizontally mm	vertically mm	horizontally mm	vertically mm
-0.70	-13.90	-1.0	-20.9	600	725	725	530
-1.00	-20.90	-1.5	-31.3	600	590	675	530
-1.30	-26.50	-1.9	-39.7	600	490	520	530
-1.80	-37.60	-2.7	-56.4	400	490	430	370
-2.30	-48.70	-3.5	-73.1	400	420	400	370
-2.70	-55.70	-4.0	-83.5	400	330	370	370
-3.30	-69.60	-5.0	-104.4	300	370	370	280
-4.00	-83.50	-6.0	-125.3	300	330	330	220

Above table is a guide line for 2 or more fasteners in vertical and horizontal direction. The spacings originate from 1250x3050 mm full size panels with equal distances between screws. Data may be interpolated.



### Engineering responsibility

The spacings in above table are provided as indication. For the actual cladding design a locally licensed engineer shall assume responsibility for calculation and verification.

### Panel data

- Modulus of elasticity  
MOE ca. 15'000 MPa
- Modulus of rupture  
(characteristic)  
MOR (average) > 22 MPa
- Design value bending  
resistance 8.0 MPa  
(2.5 safety factor)
- Density > 1.75g/cm<sup>3</sup>

### Characteristic values

#### Resistance of screws 4.8x38 Ø 12 mm

Position	Distance between fasteners (spacing)
	600 mm
Middle	2000 N
Edge	700 N
Corner	1100 N

The data was evaluated according to ETAG 034 using 8 mm panel, and includes no safety factor. Diameter of panel hole must be 5.5 mm, and screw head must be 12 mm. Minimum screw engagement in timber to be 27 mm. Edge distances 30 mm horizontally, 80 mm vertically. The data may be interpolated.

**Timber battens - 12 mm facade panels – screw distances**

Characteristic value of wind suction (according to European standards)		Design value of wind suction (with a safety coefficient of 1.5)		Recommendation for maximal spacing d (distance between rivets or screws)			
				Vertical panel (portrait)		Horizontal panel (landscape)	
kN/m <sup>2</sup>	psf	kN/m <sup>2</sup>	psf	horizontally mm	vertically mm	horizontally mm	vertically mm
2.23	46.64	3.35	69.97	530	725	725	530
- 3.00	- 62.65	- 4.50	- 93.99	530	580	580	530
- 3.83	- 80.05	- 5.75	- 120.1	530	465	465	530
- 4.24	- 88.55	- 6.36	- 132.84	530	420	420	530
- 5.97	- 124.74	- 8.96	- 187.14	350	465	465	350
- 6.95	- 145.07	- 10.42	- 217.64	350	410	410	350
- 7.96	- 166.23	- 11.94	- 249.39	350	365	365	350
- 9.00	- 187.95	- 13.50	- 281.97	350	325	325	350

Above table is a guide line for 2 or more fasteners in vertical and horizontal direction. The spacings originate from 1250x3050 mm full size panels with equal distances between screws. Data may be interpolated.

## Engineering responsibility

The spacings in above table are provided as indication. For the actual cladding design a locally licensed engineer shall assume responsibility for calculation and verification.

## Panel data

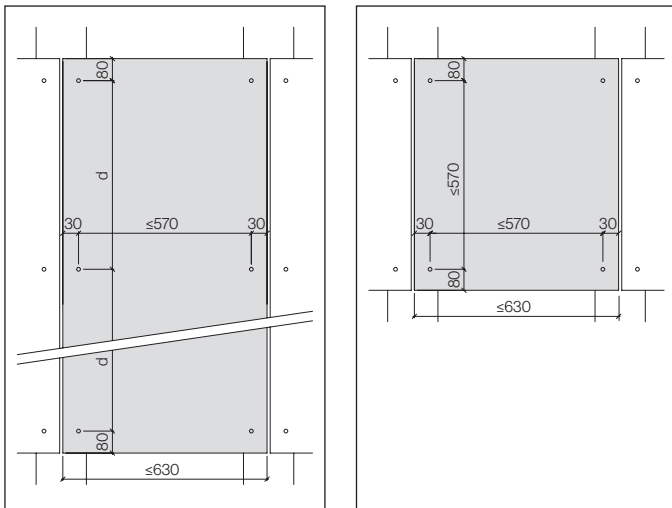
- Modulus of elasticity  
MOE ca. 15'000 MPa
- Modulus of rupture  
(characteristic)  
MOR (average) > 22 MPa
- Design value bending  
resistance 8.0 MPa  
(2.5 safety factor)
- Density > 1.75g/cm<sup>3</sup>

## Characteristic values

### Resistance of screws 4.8x44 Ø 12 mm

Position	Distance between fasteners (spacing)
	600 mm
Middle	4000 N
Edge	1350 N
Corner	1450 N

The data was evaluated according to ETAG 034 using 12 mm panel, and includes no safety factor. Diameter of panel hole must be 5.5 mm, and screw head must be 12 mm. Minimum screw engagement in timber to be 27 mm. Edge distances 30 mm horizontally, 80 mm vertically. The data may be interpolated.

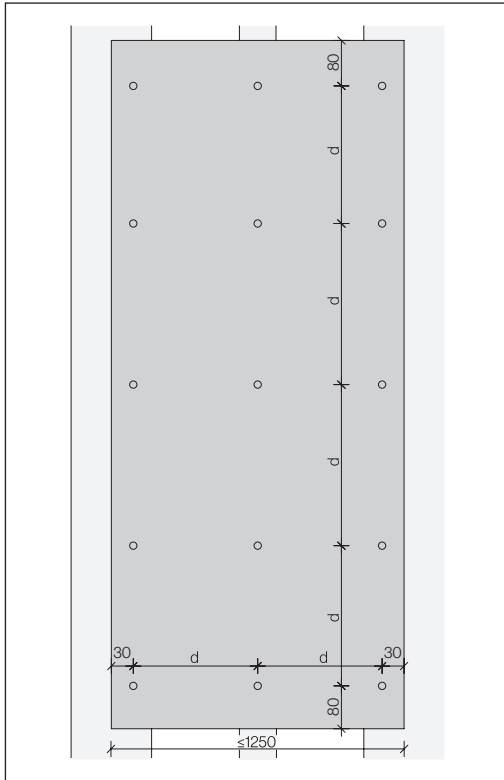
**Single span panel (no intermediate support)****Soffit panels**

Fastener distances for soffit panels and suspended ceilings not to exceed 500mm.

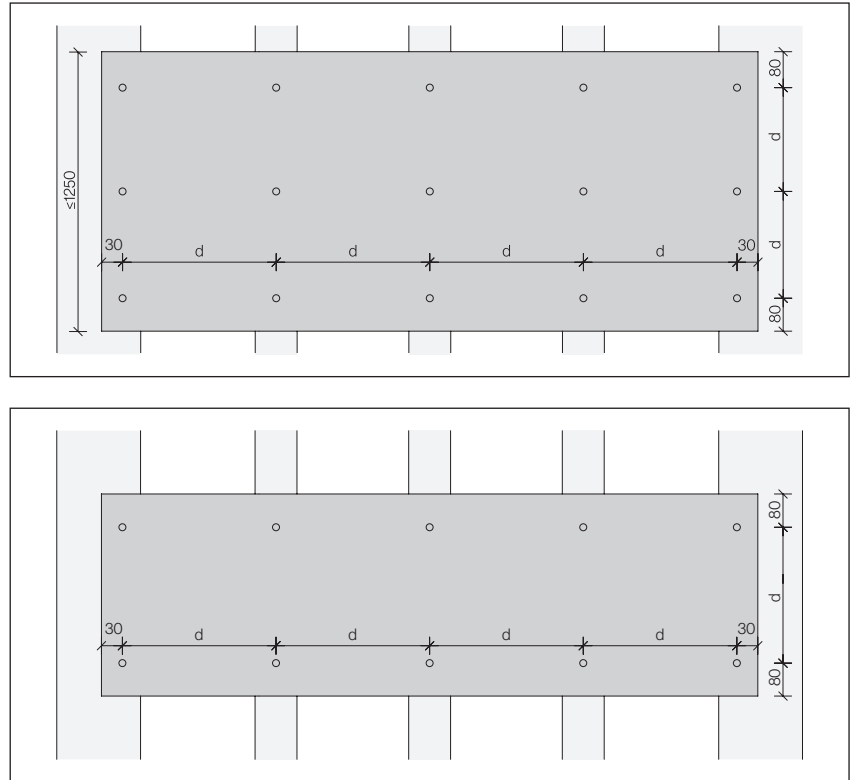
Max. distance between fasteners for single span panels 570 mm, unless smaller distance is required by high wind load as per table of fastener distances.

Sample screw layouts, final layout to be determined by a local structural engineer.

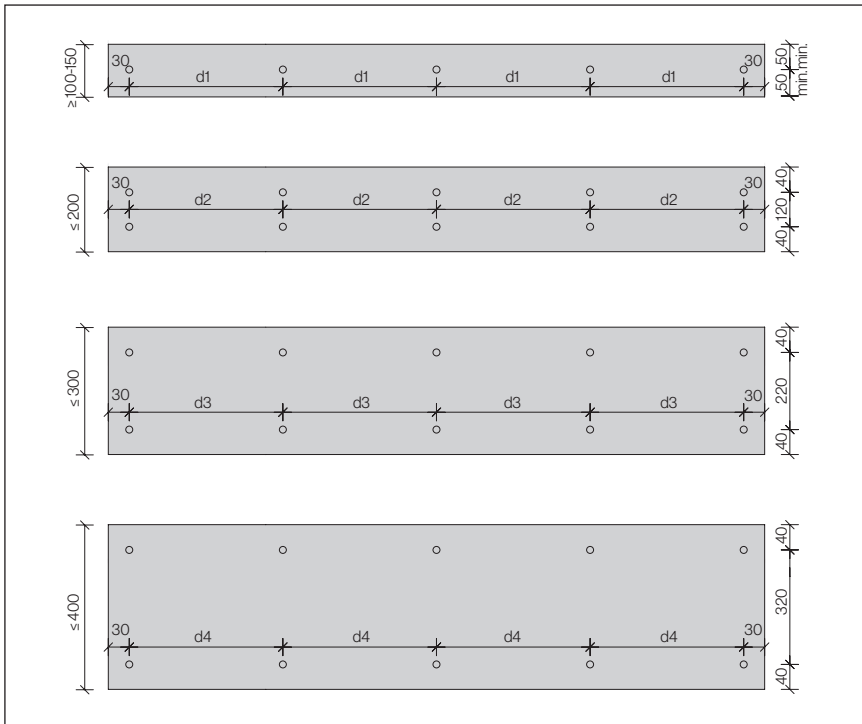
**Swisspearl Largo vertical panel (portrait)**



**Swisspearl Largo horizontal panel (landscape)**



Drill holes  $\varnothing 5.5$  mm

**Swisspearl Largo strips or Linearis****Fastener distances [d1-d4]**

Wind load	$\leq 0.45 \text{ kN/m}^2$
Building height up to (m)	$\leq 10$
Strip width 100-150 mm [d1]	400
Strip width $\leq 200$ [d2]	450
Strip width $\leq 300$ [d3]	500
Strip width $\leq 400$ [d4]	see page 40

## **Swisspearl Largo stripes or Linearis with open joints**

### **Product**

Swisspearl Linearis are ready-made Largo panel strips, for installing with open joints. Whether monochrome or multicolored, equal or varying format lengths, with continuous or offset joints – there is immense scope for different combinations.

### **Panel sizes Linearis**

1500×147×8 mm	4.37 Pieces/m <sup>2</sup>
2000×147×8 mm	3.28 Pieces/m <sup>2</sup>
2500×147×8 mm	2.63 Pieces/m <sup>2</sup>
1500×300×8 mm	2.18 Pieces/m <sup>2</sup>
2000×300×8 mm	1.64 Pieces/m <sup>2</sup>
2500×300×8 mm	1.31 Pieces/m <sup>2</sup>

5 mm joints

### **Holes in panel for screws**

Fastener holes to be done at the jobsite. Diameter 5.5 mm.

### **Panel joints**

Swisspearl Linearis typical panel joint is 5 mm.

### **Installation Reflex, Vintago and Vintago - Reflex**

When installed, all the arrows on the backside of the Reflex, Vintago and Vintago - Reflex panels must point in the same direction.

### **Timber battens**

Installation over timber battens is allowed provided the design meets local engineered codes and standards.

### **EPDM strips**

All timber battens must be fully covered by EPDM backing strips stapled to the battens. Stapled at the edges of the bands. EPDM strips to be in one single piece top to bottom or overlapped.

### **Details**

Installation details as per this DIM are applicable.

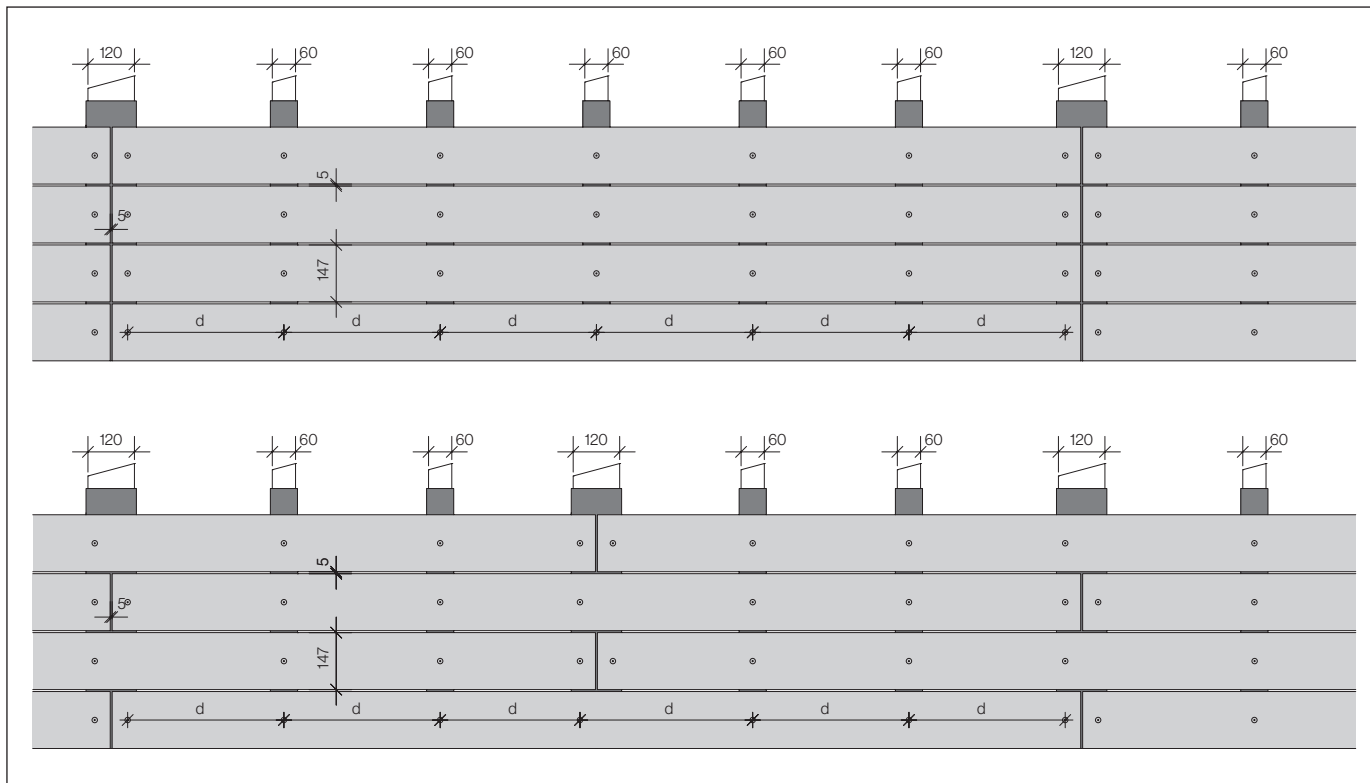
### **Vertical installation**

The arrangement of Swisspearl Linearis is usually horizontal. For the execution of a vertical application please contact the Technical Service.

### **Vertical battens**

Under butt joint 1×40×120 mm or 2×40×60 mm, one-sided planed. Intermediate support 40×60 mm, one-sided planed.

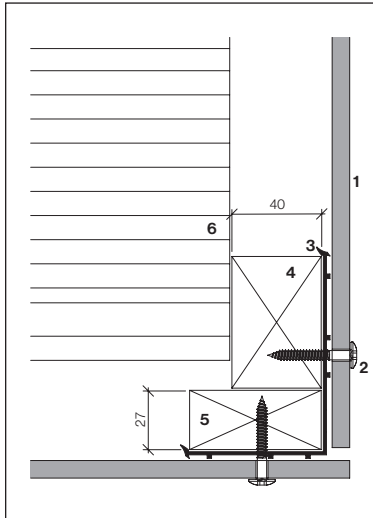
**Mandatory the use of Swisspearl EPDM bands with side lips**

**Swisspearl Linearis example**

By an offset configuration, fastener hole not to be placed at the joint axis (water course).

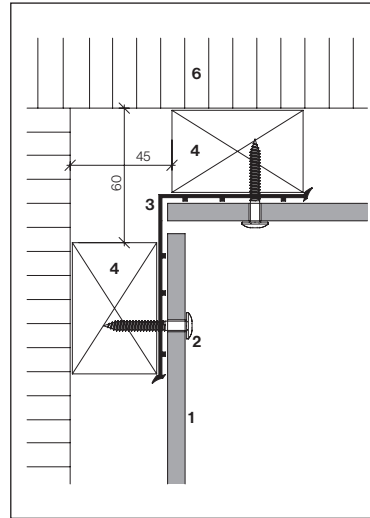


## Swisspearl Linearis example outer corner



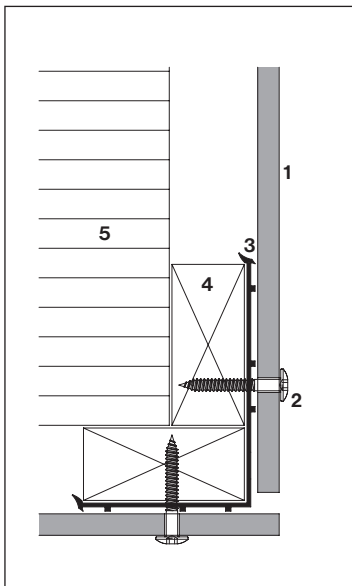
Batten configuration to building corner as shown above with the use of 150 mm EPDM.

## Swisspearl Linearis example inner corner

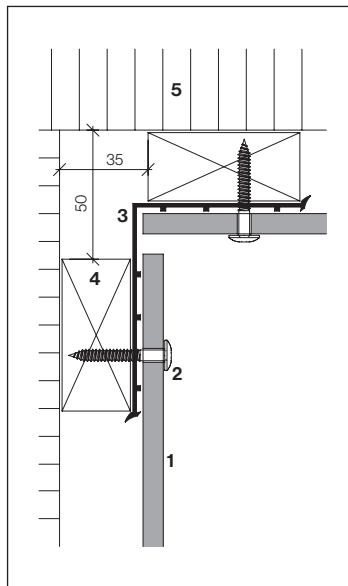


- 1 Swisspearl Linearis 8 mm
- 2 Swisspearl Screw 4.8x38 mm
- 3 EPDM band 150 mm
- 4 Batten 40x60 mm
- 5 Batten 27x60 mm
- 6 Thermal insulation

**Swisspearl Largo example outer corner**



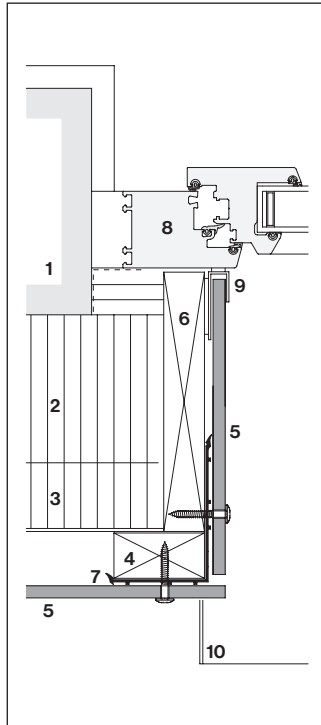
**Swisspearl Largo example inner corner**



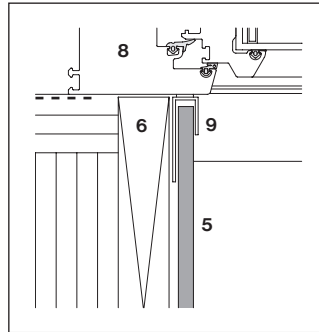
- 1 Swisspearl Largo 8 mm
- 2 Swisspearl Screw 4.8×38 mm
- 3 EPDM band 150 mm
- 4 Batten 27×60 mm
- 5 Thermal insulation

Batten configuration to building corner as shown above with the use of 150 mm EPDM.

## Example window jamb

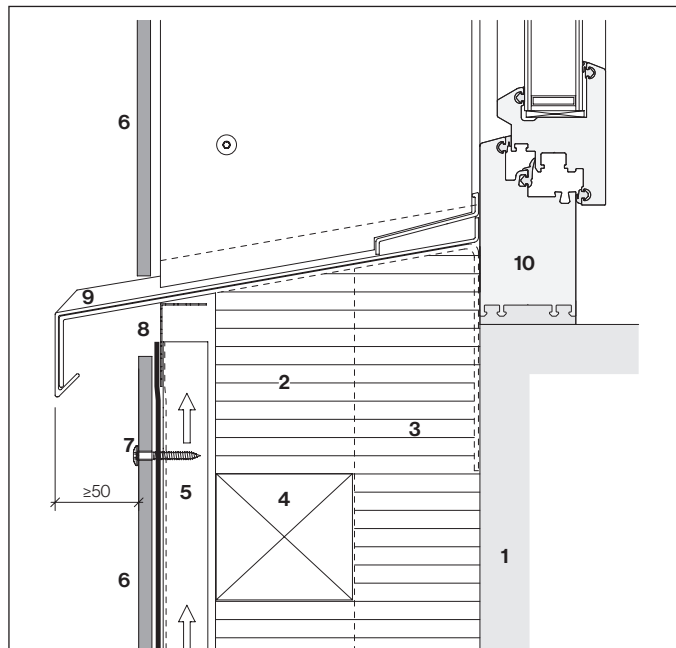


Jamb with 8 mm panels

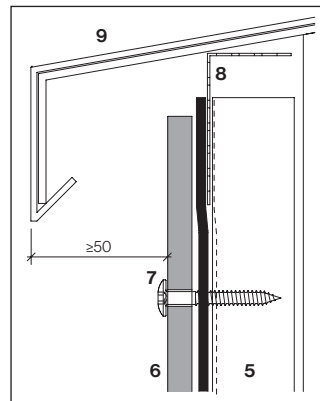


Window detail

- 1 Exterior wall
- 2 Thermal insulation
- 3 Horizontal support
- 4 Vertical support
- 5 Swisspearl Largo 8 mm
- 6 Jamb board
- 7 EPDM band 150 mm
- 8 Window frame
- 9 U or F-profile
- 10 Window sill

**Example window sill**

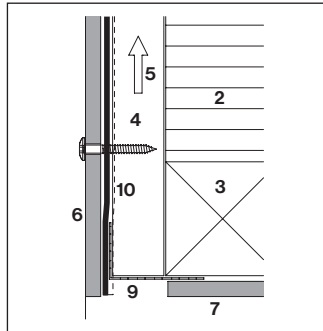
Window sill made of metal



Sill detail

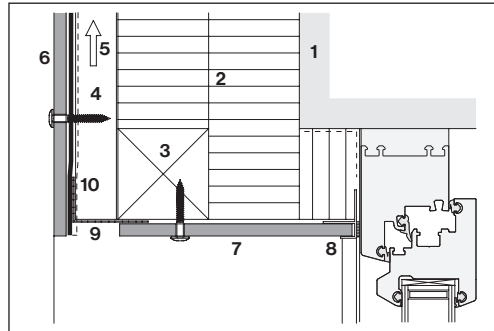
- 1 Exterior wall
- 2 Thermal insulation
- 3 Vertical support
- 4 Horizontal support
- 5 Vertical support
- 6 Swisspearl Largo 8 mm
- 7 Screw 4.8x38 mm
- 8 Perforated angle
- 9 Window sill
- 10 Window frame

## Example window head



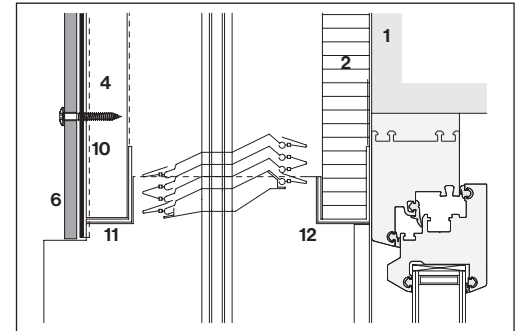
Perforated angle

- 1 Exterior wall
- 2 Thermal insulation
- 3 Horizontal support
- 4 Vertical support
- 5 Ventilation cavity
- 6 Swisspearl Largo 8 mm
- 7 Swisspearl Largo 8 mm

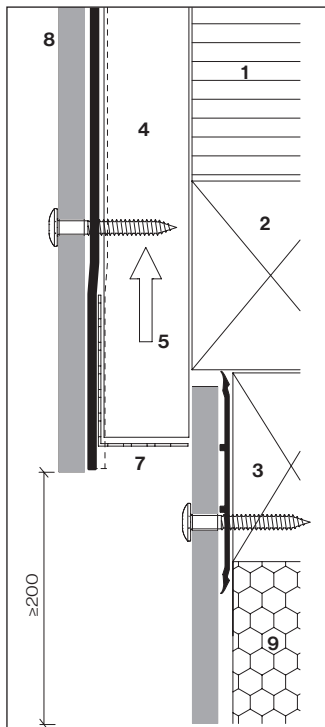


Metal framing around whole window

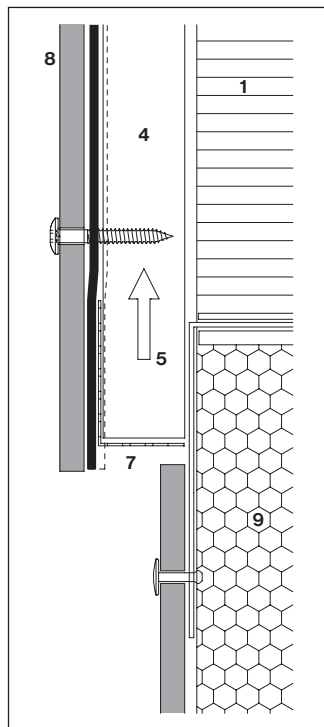
- 8 U or F-profile with sealant
- 9 Perforated angle
- 10 EPDM band
- 11 Angle profile
- 12 Angle profile insulation



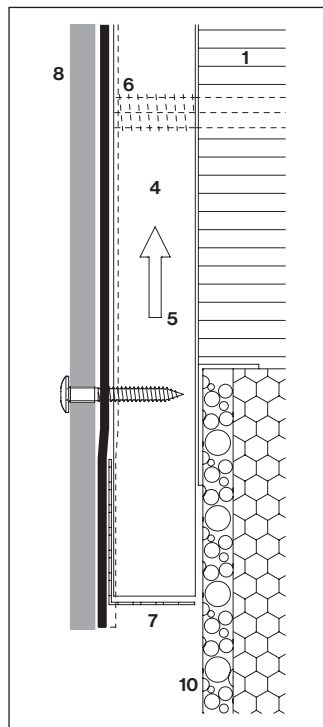
Head detail sun shutter

**Example bottom detail**

Timber / timber

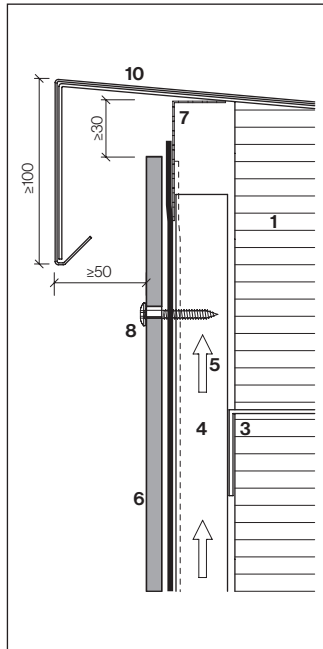


Timber / metal

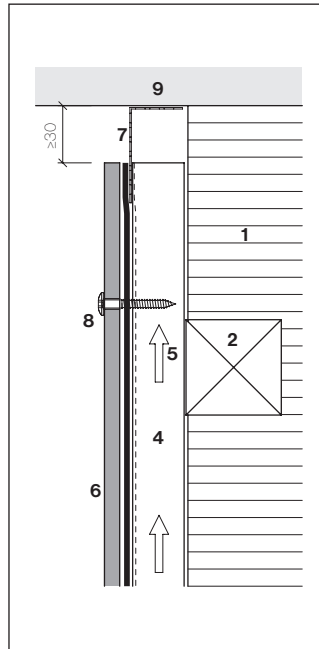
Timber verticals with  
spacer screw

- 1 Thermal insulation
- 2 Horizontal batten
- 3 Horizontal support
- 4 Vertical support
- 5 Ventilated cavity
- 6 Spacer screw
- 7 Perforated angle
- 8 Swisspearl Largo 8 mm
- 9 Thermal insulation water resistant
- 10 Thermal insulation

## Example coping detail



Coping detail



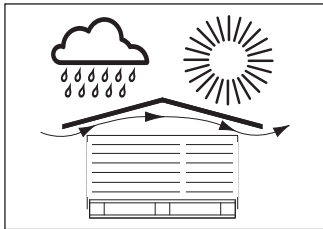
Detail under slab

- 1 Thermal insulation
- 2 Horizontal batten
- 3 Horizontal support
- 4 Vertical support
- 5 Ventilated cavity
- 6 Swisspearl Largo 8 mm
- 7 Perforated angle
- 8 Screw
- 9 Soffit
- 10 Coping

**On site storage**

Pallets must be stored under cover i.e. out of rainfall and direct sunlight. Where this is not possible, store under tarp. Ingress of water into stacked panels will cause permanent staining to panel surface. Excess heat to stacked panels can cause damage to panel surface. Overseas pallets can be stacked several above another.

Provisional roofing or tarp covers are to be used in a manner that allows cross ventilation as shown.



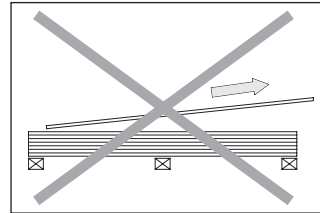
**Fabricating panels at local fabricators or on site**

Always work out of the weather. Cutting panels to size:

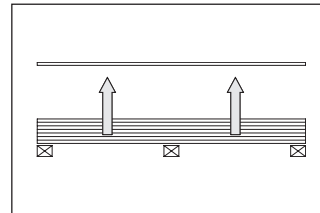
- Use industrial vertical panel saw for large quantities
- For small quantities use circular hand saw with straight edge and dust extraction
- Panel cut outs, etc. use jig saw
- Cutting blade supplied by factory or procured locally; considering cutting quality, performance, costs
- Dust from fabricating on site must be removed immediately
- Avoid tools which produce fine dust

**Stacking panels on site**

- Always stack the panels horizontally on pallet base
- Each stack should not be more than 500 mm high (1' 18")
- Use foam protection layer between the panels (as supplied by factory)
- 5 stacks on top of each other



Do not pull panel across...



...but lift up vertically

**Pallet sequence**

It is recommended to order the panels cut and pre-drill according to their sequence in the order to safe time while installing.



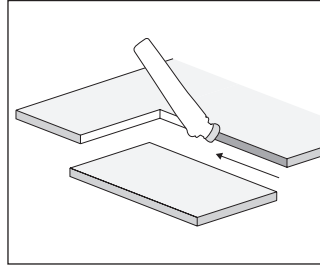
## Panel fabrication on site

For long cuts use multifunction table with circular hand saw, guide rail and dust extractor. Saw blade supplied by panel manufacturer or at own choice.

## Cut outs

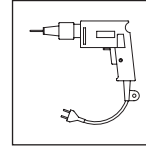
For smaller cut outs or odd shapes use pendular jig saw. For drilling use spiral drill bits on site storage  $\varnothing 9.5 / \varnothing 5.5$  mm (metal / timber supports) with carbide metal tips supplied by panel manufacturer or procured locally.

## Sealer to cut edges

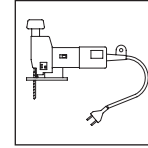


All cut edges must be sealed with impregnation liquid LUKO. Immediately wipe LUKO off the face of the material.

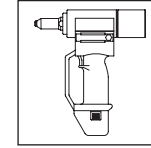
## Tools



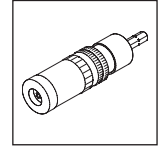
Drill



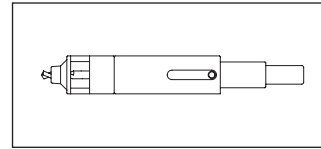
Jig saw



Rivet gun

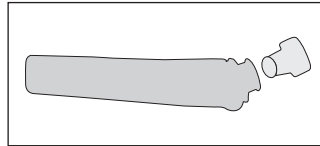


Depth stop (mandatory for timber sub-frame)

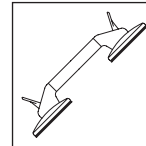


Center drill gauge

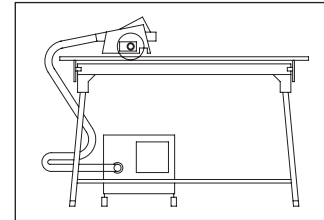
## LUKO hand applicator



LUKO filled in hand applicators is frost proof to  $-8^{\circ}\text{C}$  ( $18^{\circ}\text{F}$ ). LUKO supplied in 1 liter bottles is not frost proof but dries faster (for fabrication in work shop).



Vacuum handle with silicone cups. (Keep silicone cups clean during installation to prevent scratching panels).



Circular hand saw with guide rail and dust extraction

**Swisspearl panels including**

Carat, Avera, Incora, Texial, Reflex, Vintago, Vintago - Reflex, Nobilis, Terra, Planea and Zenor including those panels with an added Facade and or Roof coatings fall into these categories.

**Cleaning procedures**

Remove dust immediately after fabricating panels.

**Dry dust**

To be removed with a vacuum cleaner, or with a clean, dry and soft cloth or brush.

**Wet dust**

Results in staining the panel surface. It must be removed immediately, using plenty of water and a sponge or soft brush.

**Cleaning of completed claddings**

Non calcium based stains:

- Use high pressure cold water at max. 80 bars (minimum distance from panel 25 cm/10"). Use flat fan spray nozzle, dirt blasters are not allowed. Prior do test on in- conspicuous part of cladding
- If required use mild soap or dish-washing liquid. Do not use abrasive or solvent containing cleaning agents
- Do not use glass cleaning detergents!
- Never wash claddings in direct sun light with alkaline or acid cleaners, as the detergent may cause irreversible stains

Calcium based stains:

- Apply a mist spray of a solution of 9.5% acetic acid and water
- Allow to react a few minutes but do not let dry out
- Use high pressure cold water to rinse cladding

Repeat steps 1 to 3 on difficult stains:

**Cleaning during service life**

Normally no cleaning will be needed since the rain will periodically wash away dust, environmental dirt, etc. However, if particular environmental conditions lead to a dirty surface, wash with garden hose or high pressure cold water.

**Cleaning of HR panels**

Clean the surface with a soft cloth, remove with Acetone using a different soft cloth. Apply 2-3 times treatment if necessary. If the surface is not acceptable after the 3rd time, a change of the panel is recommended.

Do not clean the surface in direct sun light, and always use appropriate safety equipment.

For detailed specifications on HR panels please contact your Technical Advisor.

**Organic growth**

Remove algae / fungus with a 5% solution of hydrogen peroxide (H<sub>2</sub>O<sub>2</sub>) to eliminate all spores.

**Masking tape**

For the use of masking tape on panels it should be noted that most common masking tapes are not resistant to UV rays.

Such tapes leave behind residues, that cannot be removed without causing damage to panel surface. However the use of the following masking tapes is recommended:

- Masking tape 3M Blue 2090 for temporary application (1 - 2 weeks)
- Masking tape 3M Gold 244 for longer term application.



