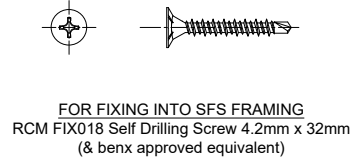
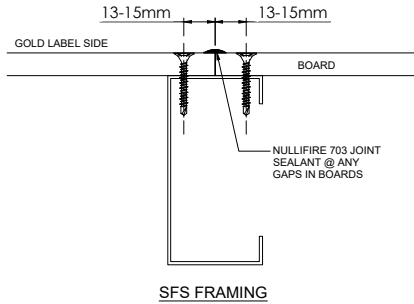
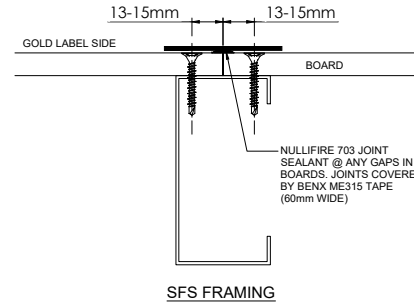


BOARD JOINTS
(Upto 3-months exposure)



BOARD JOINTS
(Upto 12-months exposure)



BOARD JOINT NOTES:-

- Fire - To achieve an EI fire rating a Nullifire 703 should be used to seal any gaps or open joints (such as 2mm to 5mm joints in board)
 - Weathering (3 months exposure) - Benx will guarantee the performance of the board if edges & joints are sealed with suitable sealant if they are left exposed for no more than 3 months
 - Weathering (12 months exposure) - Benx will guarantee the performance of the board if edges & joints are sealed with suitable sealant **AND** Dafa sealing tape is applied over the joints if they are left exposed for no more than 12 months.
 - Airtightness - If additional airtightness is required at the sheathing board layer, Benx would advise the use of our Joint Seal Kit (essentially Joint Seal Liquid in addition to the Dafa tape), this does not impact either of the above exposure levels for weathering
- Component Parts;**
- Nullifire 703 fire mastic is relevant to fire performance, but acts as a sealant to provide upto 3 months exposure.
 - Sealants and Dafa tape are for improved weathering (the latter only required for 12 months exposure)
 - Joint seal kit (specifically joint seal liquid) is for improved air tightness

REV	DATE	NOTE	BY
A	20/03/25	First Issue	DJ



Benx Ltd, Lonsdale Chambers,
Lonsdale Street,
Stoke-on-Trent
Staffordshire
ST4 4BT
Telephone: 0845 130 0983
Email:
technicalservices@benx.co.uk

STATUS: INFORMATION

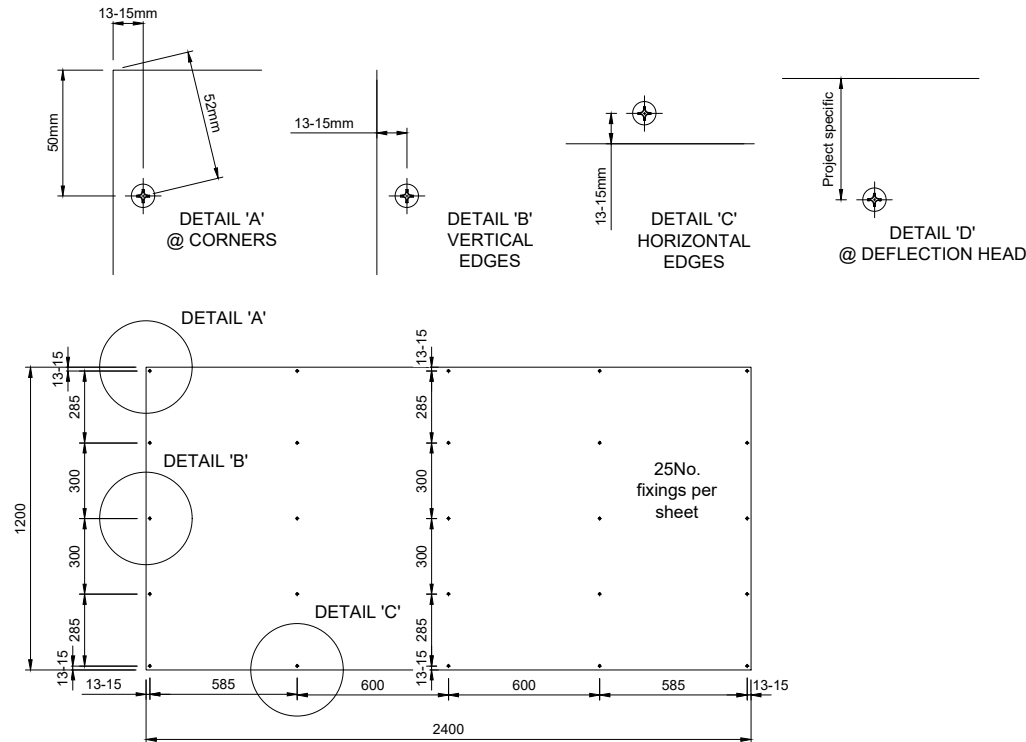
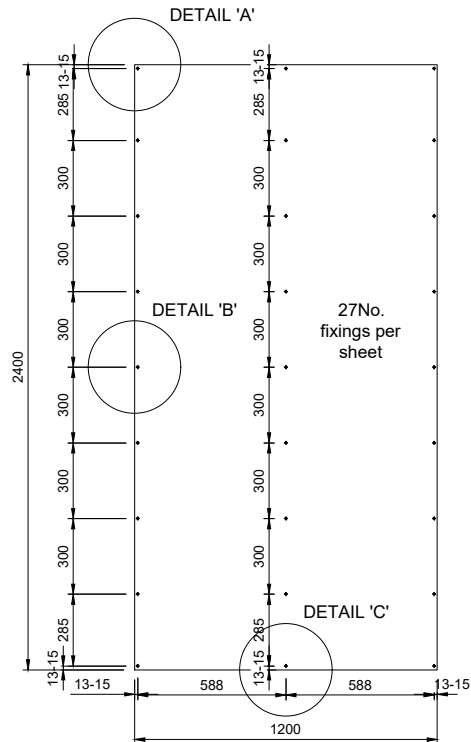
PROJECT: Densglass Fixing Details
ISO No: 5156

DRAWING No: 5156_BB_FD-02

DESCRIPTION:
Densglass Fixing Details onto SFS
(External application)

DRAWN:	CHECK:	NTS@A4	DATE:	REV:
MAB	DJ		Mar 25	A

All performance data & systems specifications are for systems constructed with materials & components as shown. The inclusion or substitution of any other manufactures materials or components invalidates both test data, system performance and compliance with CDM 2015. The information is provided and based upon details received, which are assumed to include all the relevant facts and data. While it is believed to be correct, we accept no liability for its accuracy, adequacy or completeness. Recipients must satisfy themselves as to its suitability as we do not accept responsibility for any claims or consequential loss. Acceptance of the content and subsequent design responsibility rests entirely with the recipients. Any subsequent design changes that affect the detail which we are not informed of in a written format will void this detail. None of the content may be copied without the prior approval from the Benx Group Technical Services Department. This statement should be read in conjunction with the standard terms and conditions of Benx Group.



DENSGLASS FIXING DETAILS