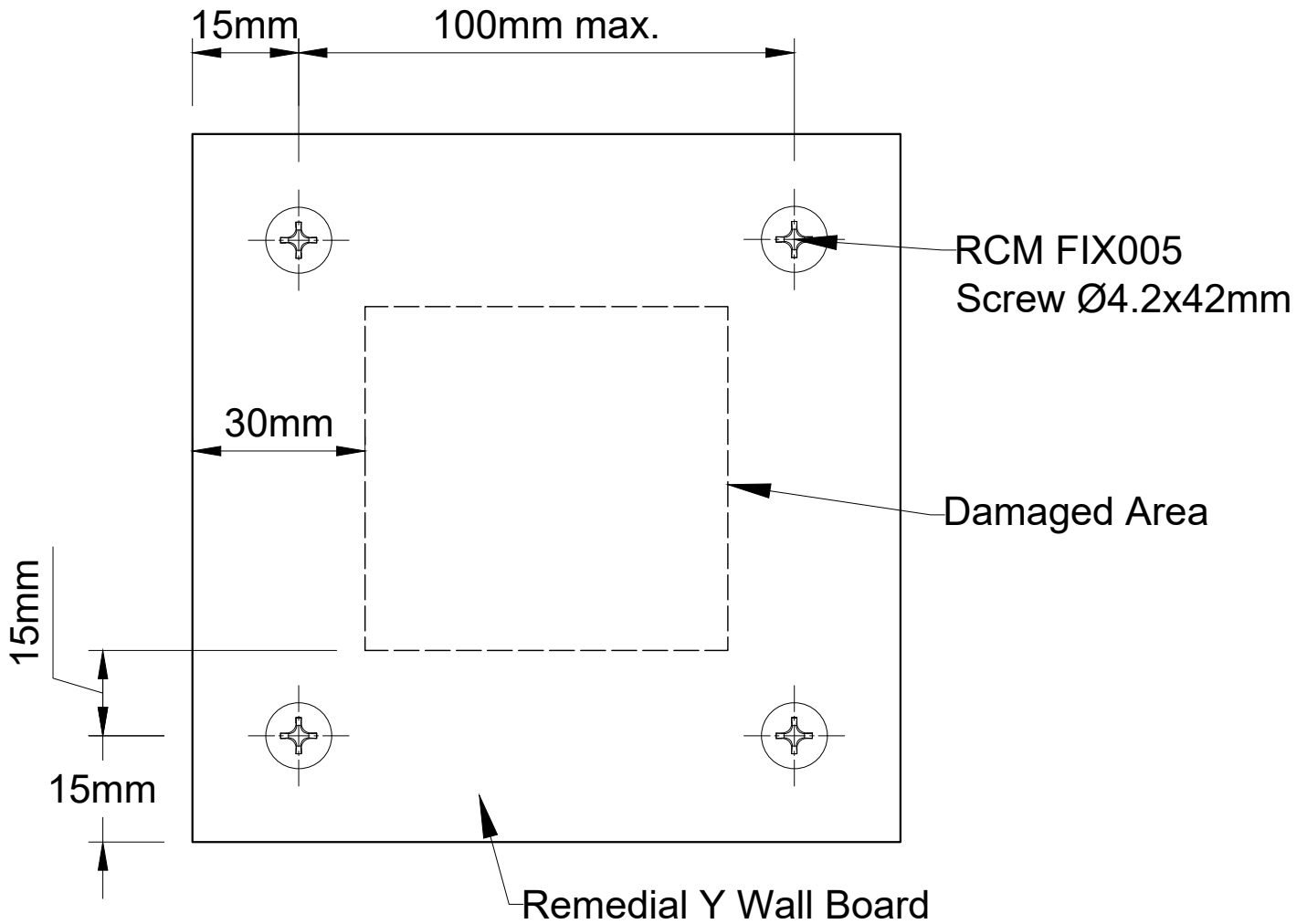


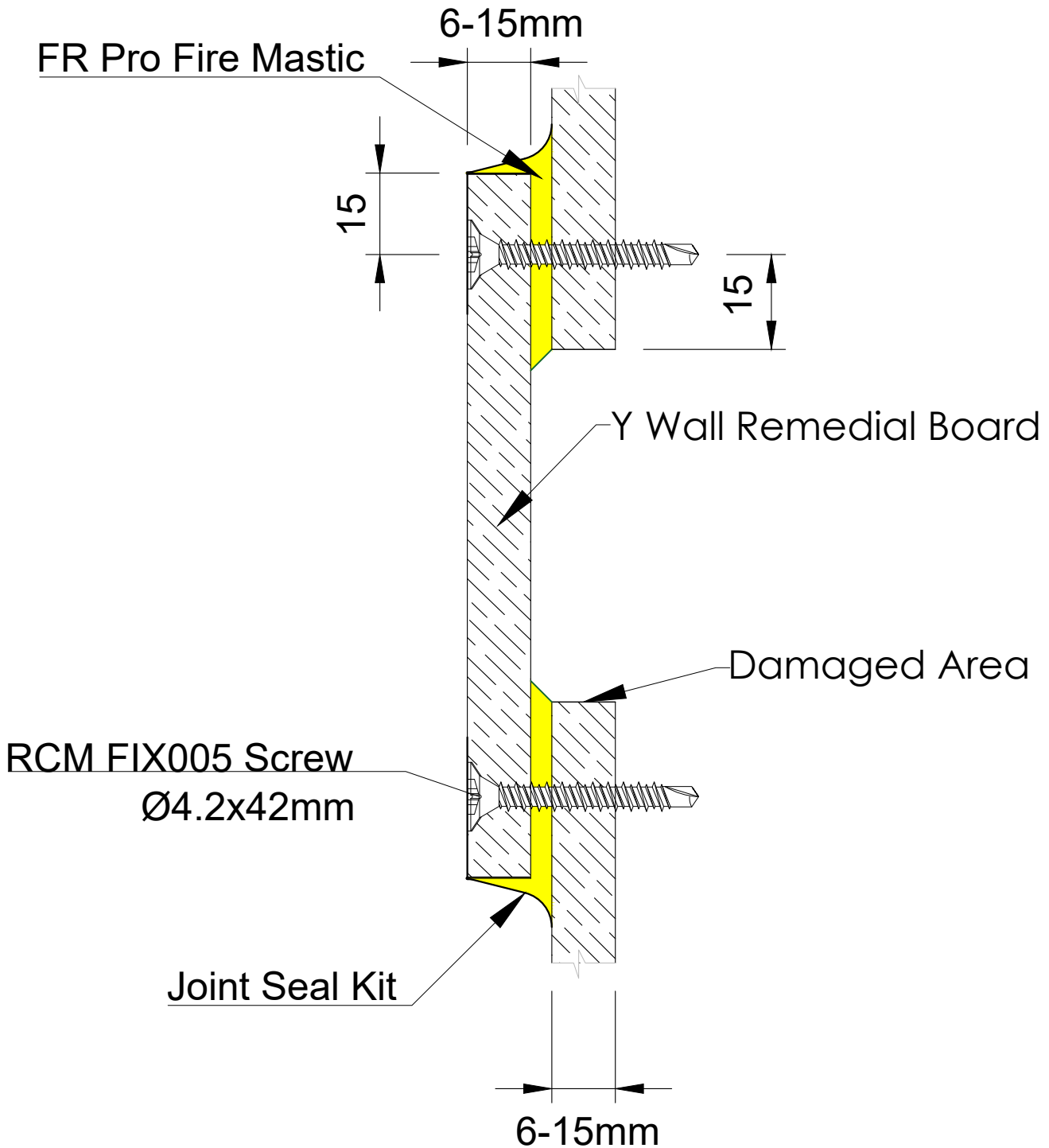
Please note this remedial action invalidates all expectations of the board and Benx will not be responsible for any remedial board repairs.



Benx Ltd, Lonsdale Chambers,  
Lonsdale Street,  
Stoke-on-Trent  
Staffordshire  
ST4 4BT  
Telephone: 0845 130 0983  
Email:  
[technicalservices@benx.co.uk](mailto:technicalservices@benx.co.uk)

REV	DATE	NOTE	BY	STATUS:	INFORMATION	DRAWN:
A				PROJECT:	ISO No:	MT
B				Y-Wall remedial	5271	CHECK:
C				DRAWING No:	ISO-TD-YW-YW-01	MT
D				DESCRIPTION:	Y wall Remedial Action for damaged board	NTS@A4
						DATE:
						14/03/23
						REV: A

All performance data & systems specifications are for systems constructed with materials & components as shown. The inclusion or substitution of any other manufactures materials or components invalidates both test data, system performance and compliance with CDM 2015. The information is provided and based upon details received which are assumed to include all the relevant facts and data. While it is believed to be correct, we accept no liability for its accuracy, adequacy or completeness. Recipients must satisfy themselves as to its suitability as we do not accept responsibility for any claims or consequential loss. Acceptance of the content and subsequent design responsibility rests entirely with the recipients. Any subsequent design changes that affect the detail which we are not informed of in a written format will void this detail. None of the content may be copied without the prior approval from the Benx Group Technical Services Department. This statement should be read in conjunction with the standard terms and conditions of Benx Group.



Benx Ltd, Lonsdale Chambers,  
 Lonsdale Street,  
 Stoke-on-Trent  
 Staffordshire  
 ST4 4BT  
 Telephone: 0845 130 0983  
 Email:  
[technicalservices@benx.co.uk](mailto:technicalservices@benx.co.uk)

REV	DATE	NOTE	BY
A			
B			
C			
D			

STATUS: Approval	DRAWN: MT
PROJECT: Y-Wall remedial	CHECK: MT
ISO No: 5271	NTS@A4
DRAWING No: ISO-TD-YW-YW-02	DATE: 14/03/23
DESCRIPTION: Y Wall Remedial action for damaged board	REV: A

All performance data & systems specifications are for systems constructed with materials & components as shown. The inclusion or substitution of any other manufactures materials or components invalidates both test data, system performance and compliance with CDM 2015. The information is provided and based upon details received which are assumed to include all the relevant facts and data. While it is believed to be correct, we accept no liability for its accuracy, adequacy or completeness. Recipients must satisfy themselves as to its suitability as we do not accept responsibility for any claims or consequential loss. Acceptance of the content and subsequent design responsibility rests entirely with the recipients. Any subsequent design changes that affect the detail which we are not informed of in a written format will void this detail. None of the content may be copied without the prior approval from the Benx Group Technical Services Department. This statement should be read in conjunction with the standard terms and conditions of Benx Group.